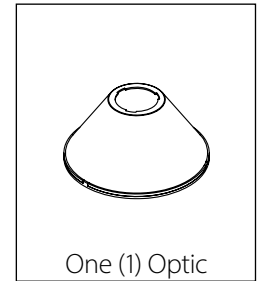
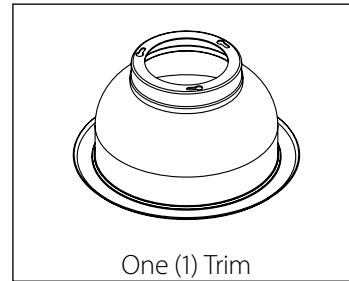
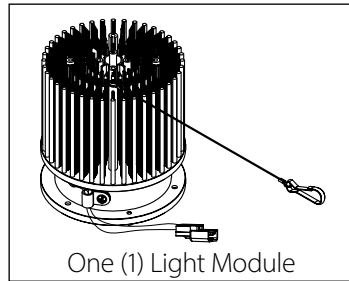
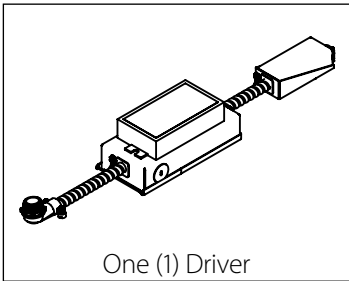




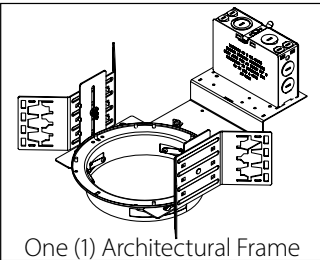
WARNING:

RISK OF ELECTRIC SHOCK. Disconnect power at fuse or circuit breaker before installing or servicing.
RISK OF FIRE. For all units except the 4" ICAT: Keep combustible and other materials that can burn, including insulation, at least 3" away all sides of the luminaire.
 Make all electrical and grounded connections in accordance with the NEC and any applicable local code requirements.
 Commercial installation, service and maintenance of luminaire should be performed by a qualified licensed electrician.
 Do not touch the yellow surface of the LED as it may damage the light engine.
 Do not use this equipment for other than the intended use.
DO NOT INSTALL DAMAGED PRODUCT!
 Make sure that the supply voltage is the same as the luminaire voltage.
 Suitable for use in wet location in covered ceiling installations only.

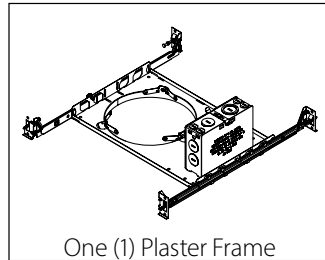
Components required for Installation



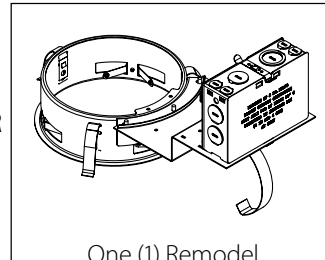
Frame Options



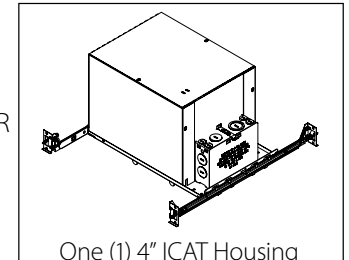
OR



OR



OR



Make sure all power is turned off before beginning installation

Installation

Main steps for installation are as follows:

- 1) Rough in of frame
- 2) Electrical installation of driver
- 3) Assembly of light engine
- 4) Installation of light engine

- 1 Shut off power to desired circuit before any work. Identify and prepare location for installation.

The frames have varying requirements for cutout size. Use the below table for the proper hole size for installation.

Cutout Size (minimum):

- CDA4 = 5.0"
- CDA6 = 6.6"
- CDA8 = 8.0"
- CDA10 = 10.0"

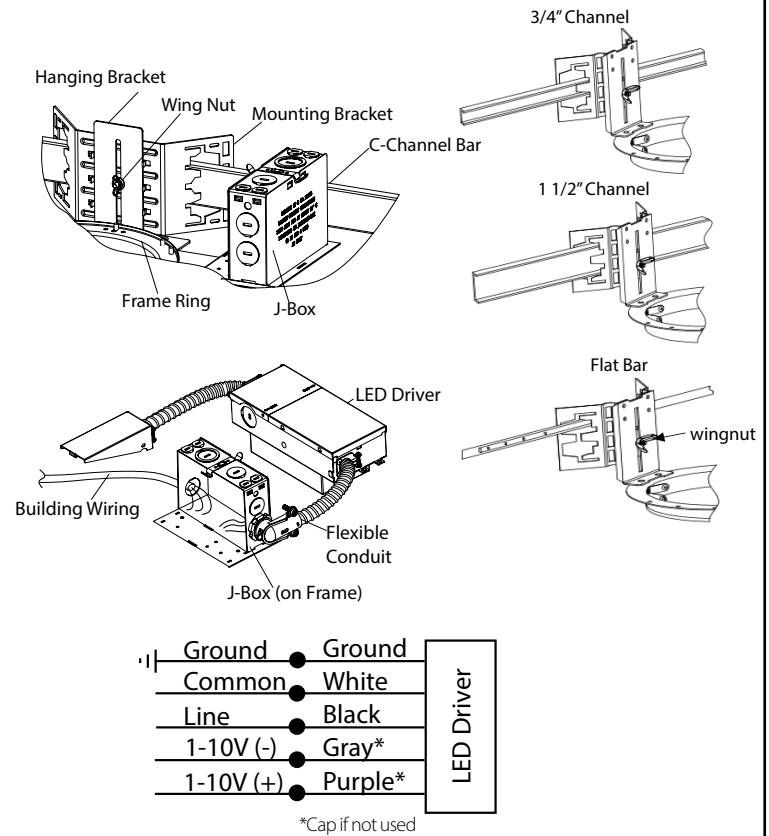
Architectural Frame

2 Frame Rough-In

- Install frame with by inserting 1/2" EMT, 3/4" or 1-1/2" C-channel or linear flat bars into mounting brackets. (Consult local building codes for final support of fixtures to structure.)
- Align the frame ring with the cutout on the ceiling.
- Loosen the two adjustment wingnuts and adjust the bottom of the plaster ring to be flush with the ceiling line.
- Tighten wing nuts to secure frame position.

Electrical Installation

- Identify the appropriate opening on the J-Box for the building wiring. Remove knockout on the J-Box.
- Identify the appropriate opening on the J-Box for the driver flexible conduit. Remove knockout on the J-Box.
- Press the clip to open the junction box.
- Feed the building wiring and the supply wires from the driver assembly (located in the Light Engine, part number CDALE2XXX, shipped separately) into the knock out holes and connect to the building wiring per the wiring diagram and in accordance with NEC and your local electrical code.



Remodel Frame

3 Installation Preparation

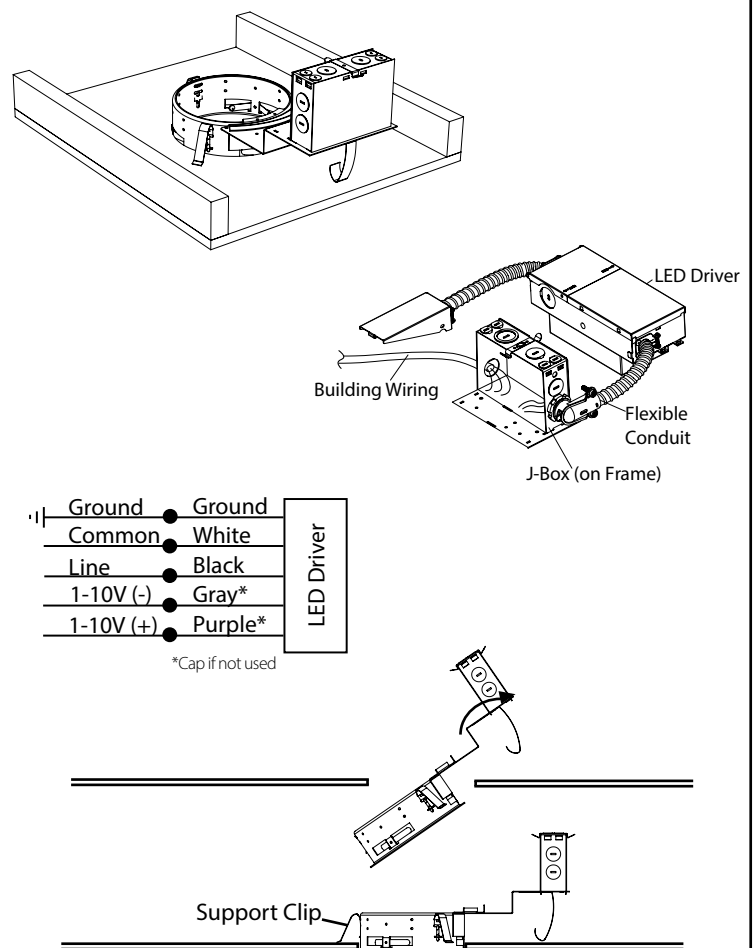
- Scribe a circle in the ceiling in the desired location per the table in step 1.
- Accurately and cleanly cut hole in ceiling. (Note: Jagged edges or an oversize hole may prevent the fixture from seating properly.)

Electrical Installation

- Pull supply wires through the hole in the ceiling.
- Identify the appropriate openings on the J-Box for the building wiring and driver flexible conduit. Remove knockouts on the J-Box.
- Press the clip to open the junction box.
- Feed the building wiring and the supply wires from the driver assembly into the knock out holes and per the wiring diagram and in accordance with NEC and your local electrical code.

Frame Installation

- Insert driver and fixture, j-box first, into the ceiling cavity. Make sure support clips are loose so they compress into the housing body during insertion.
- Push housing upward until seating flange is flush with the ceiling.
- Using fingers or a screwdriver, press three (3) support clips up until locked in place.



Plaster Frame and ICAT Housing

- 4** Note: Bar hangers are adjustable for use in installations with spacing from 10" to 24". They can be used with joist installations of wood, engineered lumber, steel stud construction and with grid ceilings having T-bars. Bar hanger may be shortened to fit 12" framing or smaller by breaking at score lines.

Joist Installation

- Extend bar hangers to fit between wood joists and position the "L" shaped leg at the end of the bar hanger to the bottom of the joist.
- Bar hangers should be level with the bottom of the joist or framing member.
- Hammer pre-inserted nails directly into the wooden joist.

T-Grid Installation

- Extend bar hangers and align the slots in the mounting tabs over the T-bars.
- Optional fasteners can be used for attaching the bar hangers to the T-bar.

Finalize Installation

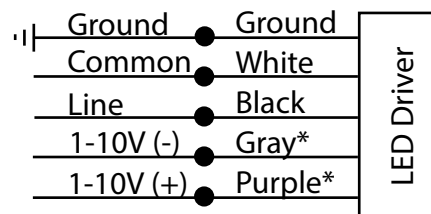
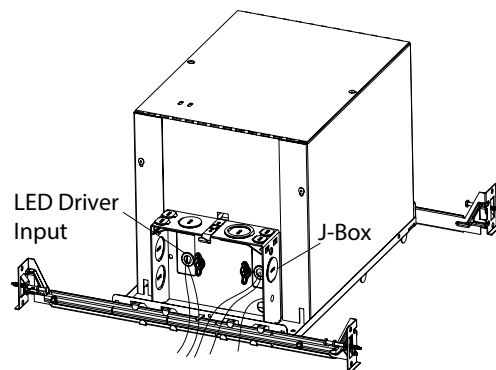
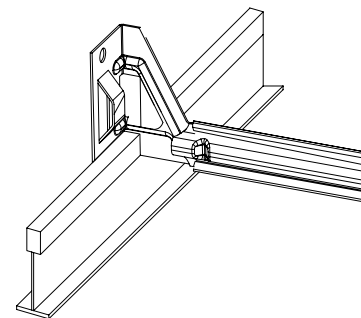
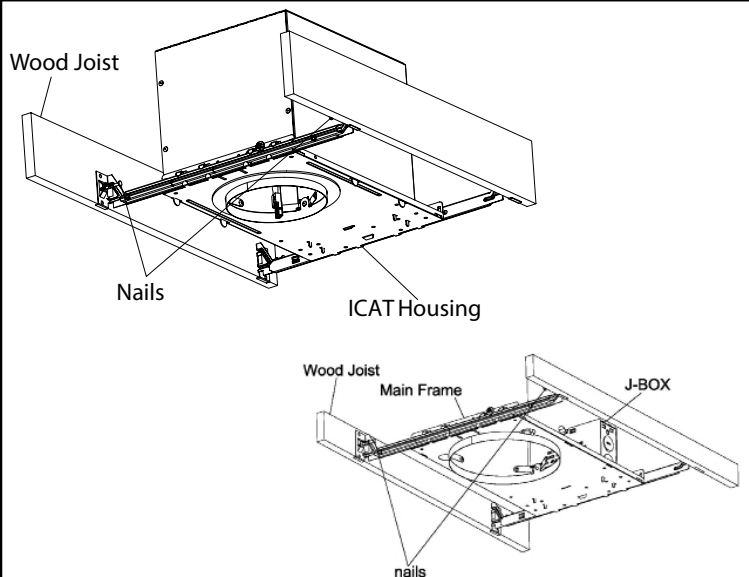
- Adjust housing platform position by sliding on bar hangers to desired position. Use locking screws to secure.
- To Relocate Fixture: Remove nail with hammer claw, move to desired location, re-hammer nails.

Electrical Installation (Plaster Frame)

- Identify the appropriate opening on the J-Box for the building wiring. Remove knockout on the J-Box.
- Identify the appropriate opening on the J-Box for the driver assembly wiring. Remove knockout on the J-Box.
- Press the clip to open the junction box.
- Feed the building wiring and the supply wires from the driver assembly (located in the Light Engine, part number CDALE2XXX, shipped separately) into the knock out holes and connect per the wiring diagram

Electrical Installation (ICAT housing)

- Identify the appropriate opening on the J-Box for the building wiring. Remove knockout on the J-Box.
- Press the clip to open the junction box.
- Feed the building wiring into the knock out holes and connect per the wiring diagram



*Cap if not used

Light Engine/Optic/Trim Installation

5 Electrical Connection

- When ready for final installation, carefully unpack CDA light engine.
- Plug luminaire quick connects into driver quick connects. For non-ICAT installations, close Terminal Box cover and tighten set screw.

Reflector Installation

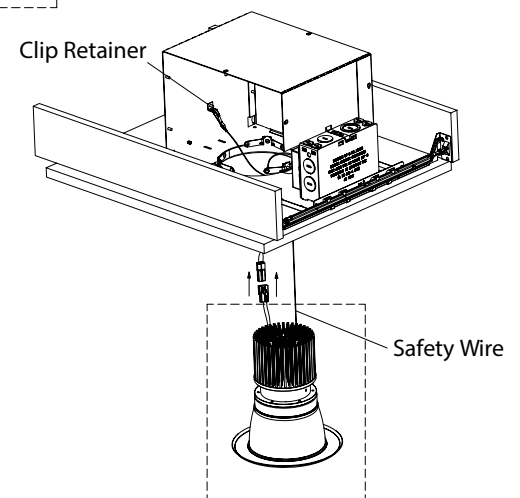
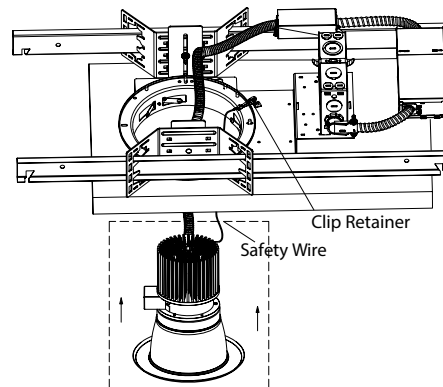
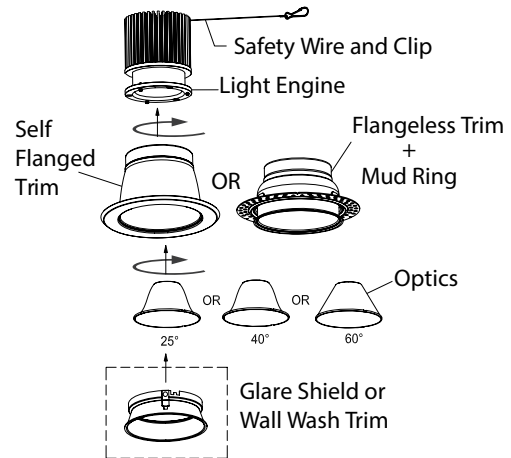
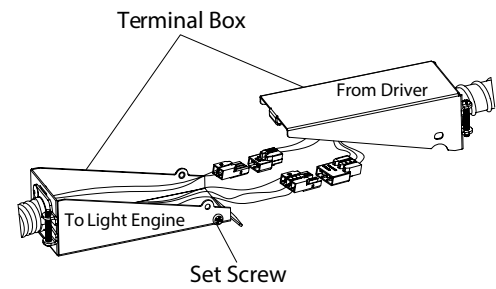
- Loosen three (3) keyed reflector installation screws, twist reflector on to light module, and tighten screws.

Optic Installation

- Remove optic from packaging and align with installation feature on light module
- Twist to lock the optic onto the assembly.
- If using glare shield or wall wash accessories, press into reflector.

Light Engine Installation

- Connect safety wire clip onto clip retainer
- Push light engine assembly into wing springs on the housing.
- Power on and ensure fixture is lit



Retrofit Installation

6 Installation Preparation

- Remove trim, ballast cap, ballast flex line, and ballast from existing frame.

Electrical Installation

- Identify the appropriate opening on the J-Box for the driver assembly wiring. Remove knockout on the J-Box.
- Press the clip to open the junction box.
- Feed the supply wires from the driver assembly (located in the Light Engine, part number CDALE2XXX, shipped separately) into the knock out holes and connect to the building wiring per the wiring diagram

Reflector Installation

- Loosen three (3) keyed reflector installation screws, twist reflector on to light module, and tighten screws.

Optic Installation

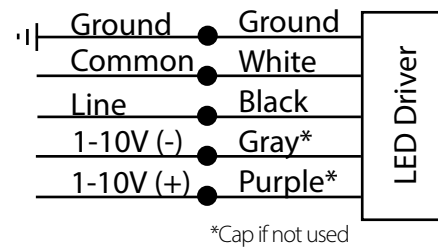
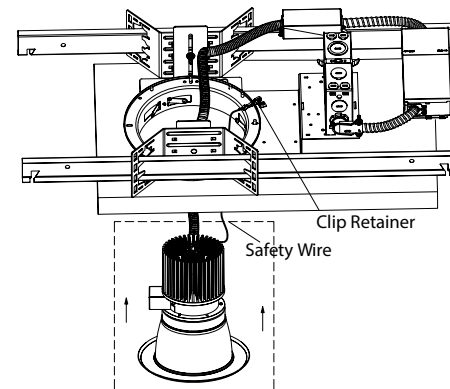
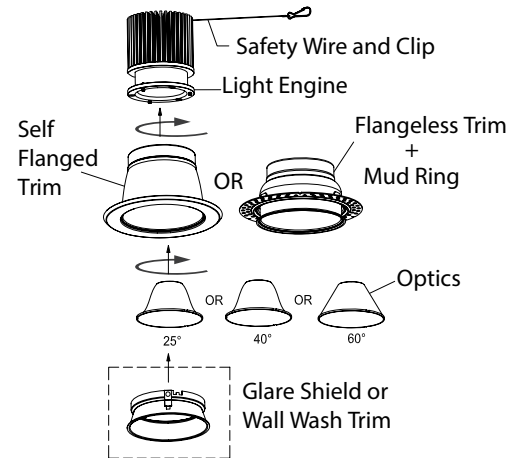
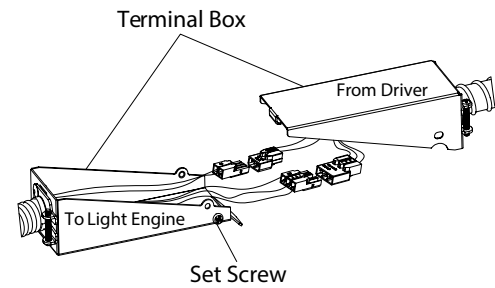
- Remove optic from packaging and align with installation feature on light module
- Twist to lock the optic onto the assembly.
- If using glare shield or wall wash accessories, press into reflector.

Driver & Light Engine Connection

- Plug light engine quick connects into driver quick connects
- Close Terminal Box cover and tighten set screw.

Light Engine Installation

- Push light engine assembly into wing springs on the housing.
- Power on and ensure fixture is lit



LED EXPRESS LIMITED WARRANTY

Subject to the exclusions below, each NICOR LED product, including the LED electronics and components of a property installed NICOR LED product, will be free from defect in materials and workmanship for a period of five (5) years from the original date of purchase. The product shall be considered defective only if 10% or more of the product's LED components fail. NICOR LED product warranty covers the following performance criteria: LED Light Output will be maintained above 70% of initial output; LED color temperature will not shift more than 200K in CCT; LED driver will operate within NICOR specifications; and the fixture finish, excluding natural aluminum or brass products, will not exhibit cracking, peeling, excessive fading, or corrosion during the warranty period. Exceptions apply as defined in NICOR's product specification sheets, which are incorporated by reference herein.

This limited warranty is provided to you, the purchaser of the product identified on Seller's invoice, as your exclusive remedy and applies only to NICOR products that have been purchased from an authorized NICOR Distributor; the product was new and in an unopened NICOR package at the time of installation; and the NICOR product was installed by a licensed electrician or under the supervision of a licensed electrician and used by consumers in the United States or Canada when accompanied with this warranty. This warranty extends only to the first consumer purchaser and is not transferable. A consumer wishing to invoke the terms of this limited warranty must first obtain a RGA number within 30 days of discovery of the defect, and return the product to NICOR for inspection. Once verified to be covered by this limited warranty, NICOR will, at its sole discretion, repair, replace, or refund the purchase price of any product that does not conform to this limited warranty. If NICOR, at its sole discretion, determines that the product should be repaired or replaced, this warranty is limited to the reasonable, customary, and necessary costs and expenses associated with the repair/replacement. This warranty requires that all repair/replacement estimates and costs, including but not limited to equipment rental (if any), and any other cost or expense to be incurred in the repair/replacement of the product, be approved in advance and in writing by NICOR.

FAILURE TO OBTAIN NICOR'S ADVANCE WRITTEN APPROVAL OF ALL REPAIR/REPLACEMENT COSTS AND EXPENSES IN WRITING SHALL VOID THIS LIMITED WARRANTY.

THIS LIMITED WARRANTY DOES NOT COVER THE FOLLOWING:

- Defects or damages resulting from improper installation, operation, storage, misuse or abuse, accident, or neglect;
- Defects or damages resulting from improper service, testing, adjustment, installation, maintenance, alteration, connection to out-of-specification electrical service, corrosive or damp environments, or connection to incompatible equipment or devices (e.g., connecting non-dimmable lighting products to dimmers);
- Damage which occurs in transit;
- Power surges or overheating due to external conditions
- Acts of nature including but not limited to lightning strikes

ANY IMPLIED WARRANTIES, INCLUDING WITHOUT LIMITATION, THE IMPLIED WARRANTIES OF MERCHANTABILITY AND FITNESS FOR A PARTICULAR PURPOSE SHALL BE LIMITED TO THE DURATION OF THIS LIMITED WARRANTY, OTHERWISE THE REPAIR, REPLACEMENT, OR REFUND AS PROVIDED UNDER THIS EXPRESS LIMITED WARRANTY IS THE EXCLUSIVE REMEDY OF THE CONSUMER, AND IS PROVIDED IN LIEU OF ALL OTHER WARRANTIES, EXPRESS OR IMPLIED. IN NO EVENT SHALL NICOR BE LIABLE, WHETHER IN CONTRACT OR IN TORT (INCLUDING NEGLIGENCE) FOR DAMAGES IN EXCESS OF THE PURCHASE PRICE OF THE PRODUCT, OR FOR ANY INDIRECT, INCIDENTAL, SPECIAL OR CONSEQUENTIAL DAMAGES OF ANY KIND, OR LOSS OF REVENUE OR PROFITS, LOSS OF BUSINESS OR OTHER FINANCIAL LOSS ARISING OUT OF OR IN CONNECTION WITH THE ABILITY OR INABILITY TO USE THE PRODUCT TO THE FULL EXTENT THESE DAMAGES MAY BE DISCLAIMED BY LAW.

This device complies with part 15 of the FCC Rules. Operation is subject to the following two conditions: (1) This device may not cause harmful interference, and (2) this device must accept any interference received, including interference that may cause undesired operation.

NOTE: This equipment has been tested and found to comply with the limits for a Class B digital device, pursuant to part 15 of the FCC Rules. These limits are designed to provide reasonable protection against harmful interference in a residential installation. This equipment generates, uses and can radiate radio frequency energy and, if not installed and used in accordance with the instructions, may cause harmful interference to radio communications. However, there is no guarantee that interference will not occur in a particular installation. If this equipment does cause harmful interference to radio or television reception, which can be determined by turning the equipment off and on, the user is encouraged to try to correct the interference by one or more of the following measures:

- Reorient or relocate the receiving antenna.
- Increase the separation between the equipment and receiver.
- Connect the equipment into an outlet on a circuit different from that to which the receiver is connected.
- Consult the dealer or an experienced radio/TV technician for help

THANK YOU

FOR YOUR PURCHASE

SHARE YOUR EXPERIENCE WITH US

SCAN the QR or visit

www.nicorlighting.com/support/survey

FOLLOW US     YouTube

