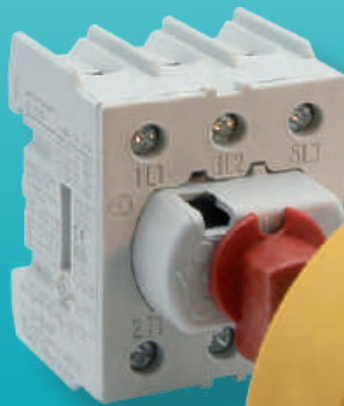


MOTOR DISCONNECT SWITCHES AND ACCESSORIES



1897

Grimma: Foundation of WALTHER-WERKE

1910

Production of heavy and low voltage current plugs & sockets

1920

1300 employees, more than 6000 articles. Global sales

1949

Invention of the first power distributor for construction sites by Alfred Bosecker

1960

WALTHER submits standard recommendation for CEE17 plugs & sockets: another breakthrough

1970

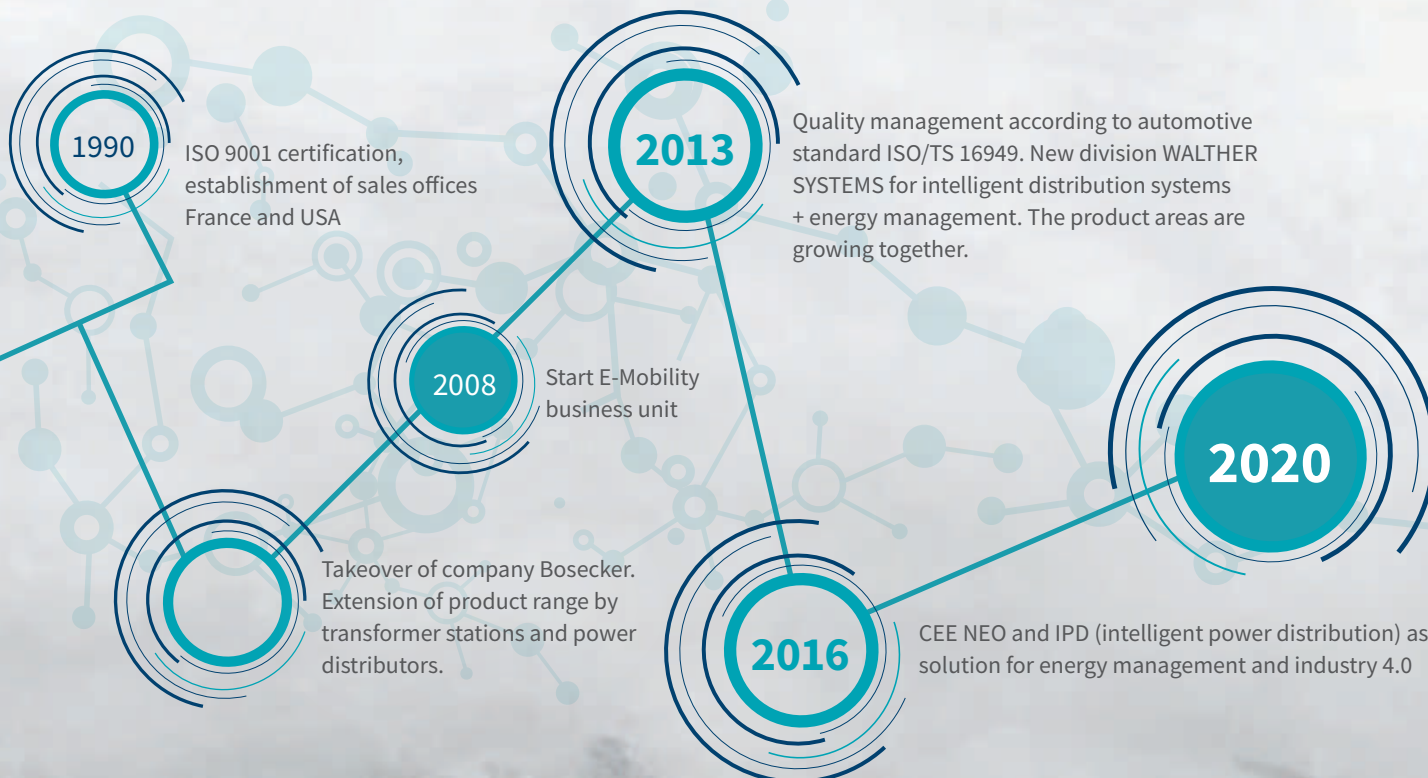
Relocation to Eisenberg, takeover of company Müller (heavy duty connectors)

WALTHER-WERKE

A TRADITION OF ELECTRICAL ENGINEERING SINCE 1897

1897 – Ferdinand Walther founds WALTHER-WERKE. Since this time, the world has changed dramatically. After the second and third industrial revolutions, we are now entering the fourth: Industry 4.0. In the world of work and in our everyday lives, far-reaching changes are on the way. During such dynamic times, reliable partners are needed who are working now to prepare for the future.

WALTHER-WERKE have over hundred and twenty years of experience and are the experts in low voltage distribution. Since it was first founded, the company has proven its excellence time and time again at providing products and solutions for present-day and future needs. Adaptation and innovation are therefore part of WALTHER's DNA. So it is no coincidence that key innovations, such as the construction site power distributor in the 1940s and the CEE type plug connector in the 1960s were inventions by WALTHER-WERKE.



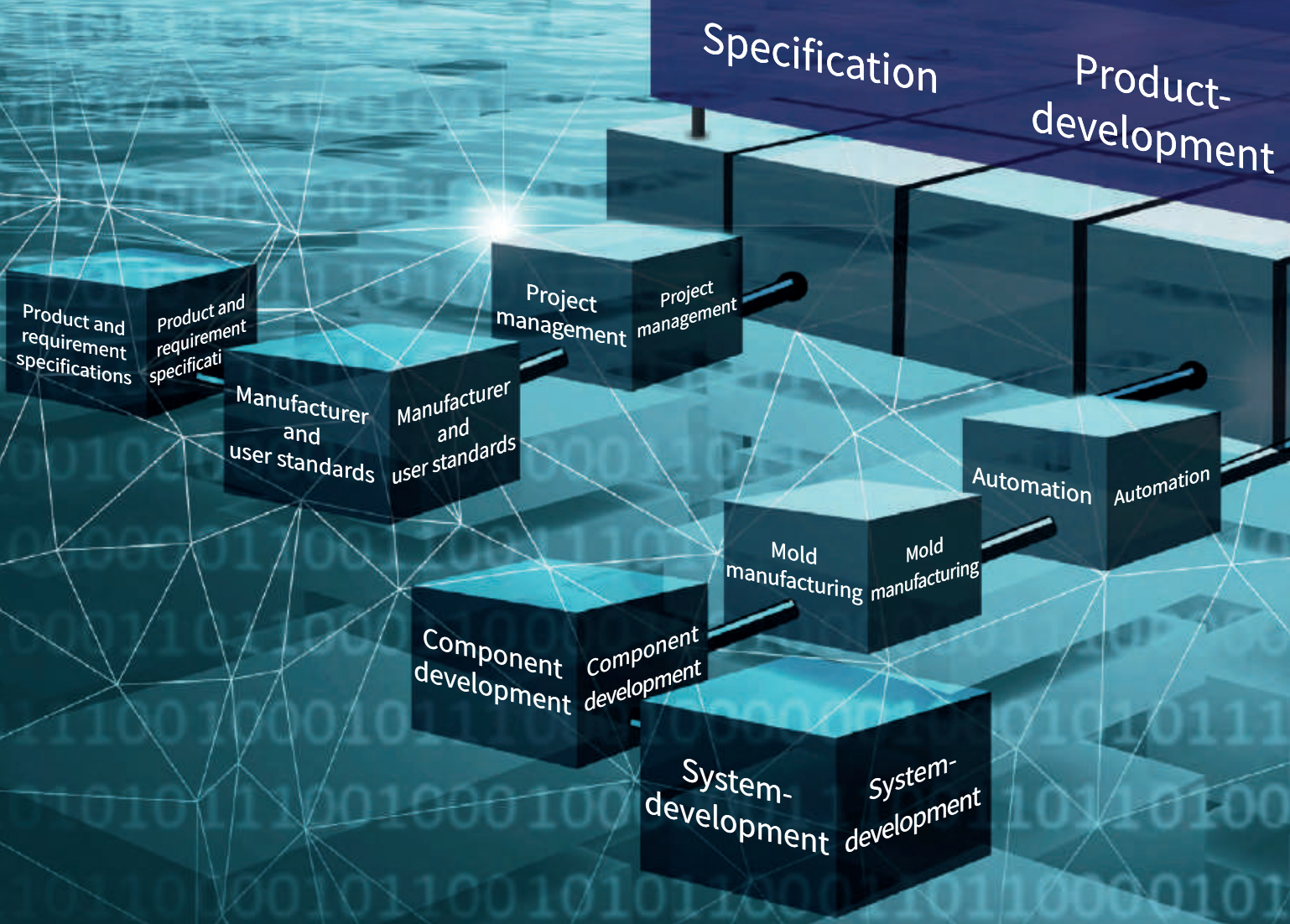
Today, the Group as a whole employs more than 400 people in the development, production and marketing of CEE type plug and socket connections, plug and socket combinations, industrial plug connectors, electromobility charging infrastructure, power distributors, and transformer stations.

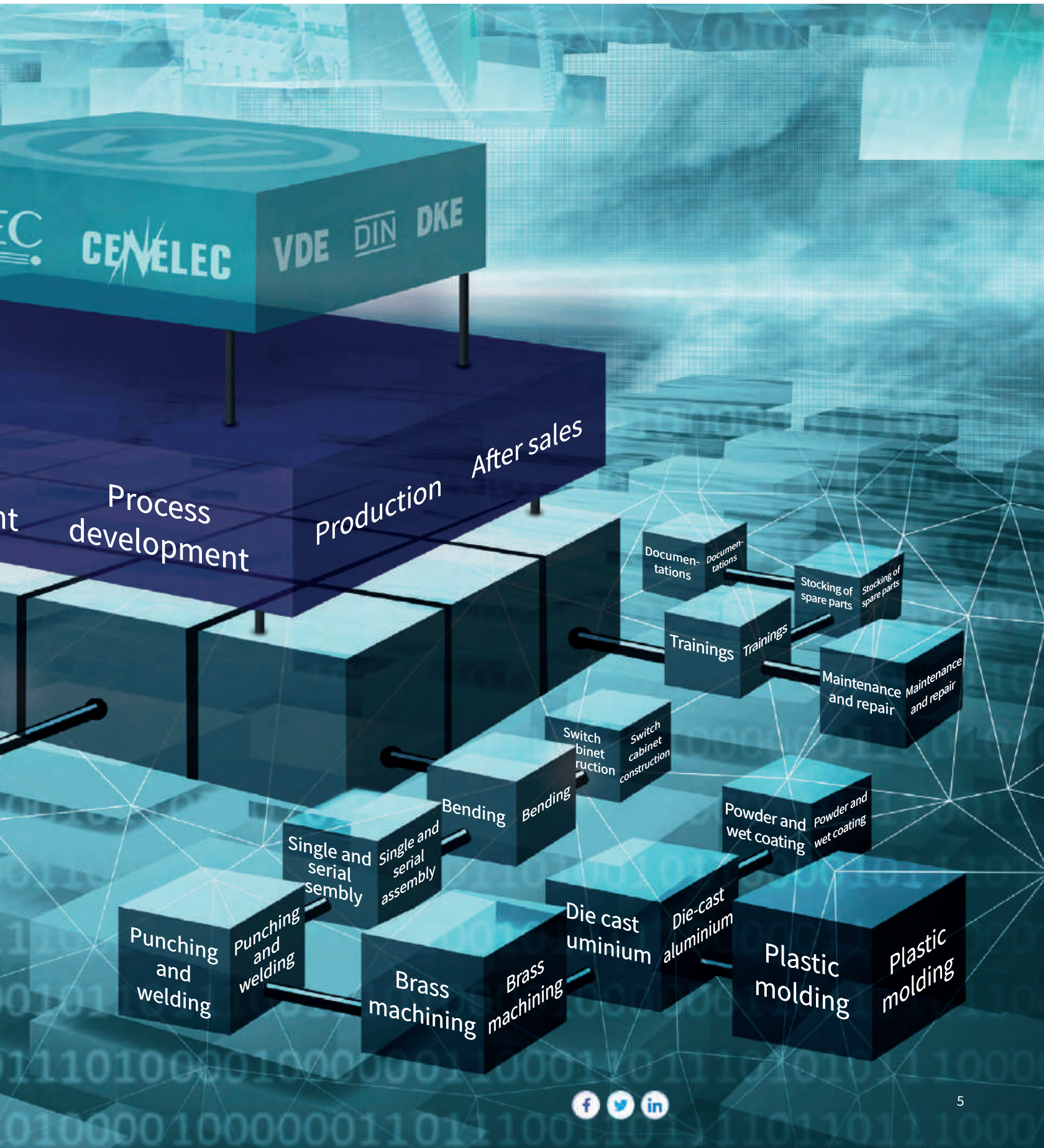
As a company with a global presence, WALTHER-WERKE is represented with its products and services on all of the world's core markets. In addition to more than 60 independent sales partners, the WALTHER Group has fully-owned subsidiaries in the USA, the UK, France, and Austria. These are primarily represented on the markets with sales and in some cases production activities, with the aim of providing our customers and partners with the best possible service.

EXPERTISE AND COMMITMENT

WALTHER-WERKE have traditionally had a high degree of vertical integration when it comes to production. This means that virtually all of the key products are manufactured at German production sites. This allows us to guarantee our customers maximum flexibility, quality and most importantly technological expertise. WALTHER can handle every kind of customer request. From the creation of product and functional requirements in consultation with our customers and the development, design and creation of tools to products validated by our own, in-house testing laboratory: All from a single source. Components that we do not make ourselves are obtained exclusively from renowned, high-quality manufacturers with whom we have long-standing partnerships. After all, these components end up in a WALTHER product – and so we bear the responsibility for our customers’ satisfaction.

But we don’t just work under our own roof. WALTHER-WERKE’s tradition also includes assuming an honorary role when working and taking responsibility with associations, as well as national and international standardization committees. This means we are able to contribute our extensive product and system expertise to the standardization process and also to ensure the advice we give to our customers always reflects the most up-to-date information.





CENELEC VDE DIN DKE

Process development Production After sales

Punching and welding

Punching and welding

Single and serial assembly

Single and serial assembly

Brass machining

Brass machining

Bending

Bending

Switch cabinet construction

Switch cabinet construction

Die-cast aluminium

Die-cast aluminium

Plastic molding

Plastic molding

Documentations

Documentations

Trainings

Trainings

Stocking of spare parts

Stocking of spare parts

Maintenance and repair

Maintenance and repair







INTEGRATED MANAGEMENT SYSTEMS ENSURE CUSTOMER-FOCUSED PROCESSES

Quality and quality management at WALTHER-WERKE means much more than mere product quality in the form of value and reliability. For us, quality management is an holistic management approach and is expressed in all of the company's activities.

By taking this approach, not only do we target quality assurance, but most importantly we aim to continuously improve all of our processes, regardless whether they are value-creating or supportive – and always with the goal of maximum customer satisfaction. Quality begins with the documentation of customers' and market needs and continues to include product development (FMEA, APQP etc.) through to the entire life cycle of our products. Processes must be measurable in terms of efficiency and effectiveness, and therefore steerable. For us, this comprehensive quality management forms the foundations of long-term, successful commercial relationships with our partners.

To raise our quality management to the highest possible level, we extended our ISO 9001 certification in 2013 to the international automotive standard ISO/TS 16949 – one of the most challenging certification standards. We use this standard not just for our automotive products, but also to all of WALTHER-WERKE's product areas. That's because we are convinced that only consistent quality management will bring long-term success.

Our production has established a lean management system, the 'WALTHER-WERKE production system (PS)', declaring war on loss and waste.

Today we have a modern and regionally referenced production system which, through consistent shop floor management, represents all of the relevant performance indicators in a cascaded manner and optimizes them continuously through problem-solving methods in combination with a broad-based lean methods toolkit (SMED, One Piece Flow, Kanban, TPM, value stream design etc.) to benefit our customers. Skilled CIP teams work daily to improve our processes and integrate ideas from all employees regarding the best solutions. Lean management, and therefore ongoing continuous improvement (CIP), has therefore matured into part of the corporate culture nowadays at WALTHER.

SALES: GLOBAL PRESENCE FOR MAXIMUM CLOSENESS TO THE CUSTOMER

Our slogan, “Your best connection” should be regarded not just as the overriding principle for the best connection technology, but also in particular counts as an incentive and inspiration in our interactions with customers to guarantee a reliable and trusting “connection” at all times. It is only through close communication with our customers that tailor-made solutions even become possible. A dense global sales network, comprising four of our own subsidiaries

and 60 international branches across all continents highlights our ambition to satisfy our customers’ wishes through expertise and closeness to the market. We are not interested in short-term successes, preferring instead partnerships of many years’ continuous standing that play a vital role in our customers’ strategic focus and which therefore represent an essential element of their added value process.



BOSECKER VERTEILERBAU SACHSEN GMBH,
ZITTAU



WALTHER-WERKE FERDINAND WALTHER
GMBH, WALTHER SYSTEMS, LEIPZIG



F. WALTHER ELECTRIC CORP.,
USA

We regard ourselves as the ideal partner to the electrical trade and as a systems supplier to the industry and construction sector. To ensure the availability of our products at all times, we also use the logistical opportunities made available to us by our electrical wholesale partners. The satisfaction of our customers lies at the heart of everything we do. Worldwide, with high-quality products and flawless service worthy of the label “Made in Germany”.



WALTHER-WERKE, EISENBERG



F. WALTHER ELECTRICS LTD,
UNITED KINGDOM



F. WALTHER SARL,
FRANCE

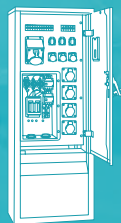


WALTHER ELECTRIC GMBH,
AUSTRIA

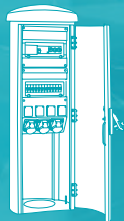
The unique breadth and depth of its product portfolio means that WALTHER-WERKE is able to design perfectly coordinated, comprehensive solutions and systems for its customers. The advantage for our customers most importantly lies in the fact that there is only one contact responsible for the entire project, with all of its overall system requirements.

This means that customers are spared the laborious task of compiling the individual components themselves. Even if the needs increase later or if there are other technical challenges, there is only ever one contact. Thanks to their system expertise, this contact will be able to offer effective and efficient solutions quickly.

INDUSTRY



Industrial power distributor



Bollard



Wall mount socket combination



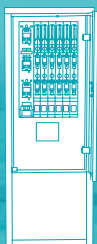
Suspension-type socket combination



Cable assembly



MOBILITY



Cable distributor



EVOLUTION 350 Charging station



EVOLUTION Wallbox



CUBE Pedelec charging cabinet



Charging cable



Motor Disconnect Switches Features & Benefits

- One of the smallest 80 A switches in the industry
- Advanced switch technology (use of silver contacts ensures safe and durable operation)
- Across the line, motor starting - up to 75 hp/600 V
- General Use Rating - 16 A to 150 A/600 V
- Available as rotary switches for extended or direct handle applications
- Toggle switches
- Non-fused switch
- Short Circuit Withstand Rating of 10 kA with back-up fuse
- DIN Rail and panel mount available
- Comprehensive range of accessories
- Snap on auxiliary contacts
- Enclosed switches have UL Listed Type 4 and/or 4X rating; watertight
- Operating temperature is -20°C to +40°C

UL60947-4-1A (Formerly UL508) Listed Manual Motor Controllers



with Disconnecting Means



E185115

AC Motor Across-The-Line
AC General Use

Extended / Direct Handle Motor Disconnect Switch	1
UL98 Motor Disconnect Switch - Extended	2
Extended / Direct Handle Accessories	3
Toggle Handle Motor Disconnect Switch	4
Enclosed Disconnect Switches	5
Index	6



KU316N

Specifications

No. of Poles	3 (4 pole - KU416N)	
General Purpose Current	16 A	
Maximum Voltage	600V AC	
Motor FLA @ 480V AC	14 A	
Motor FLA @ 600V AC	9 A	
Horsepower Rating /HP	1 Phase	3 Phase
110-120V AC	1	2
200V AC	1.5	3
208V AC	1.5	3
220-240V AC	2	3
265V AC	–	5
277V AC	–	5
380-415V AC	–	7.5
440-480V AC	–	10
550-600V AC	–	7.5
Short Circuit Withstand Rating at 600 V with Max.	10 kA	
Fuse Size/Class:		
K5	30 A	
RK5	30 A	
RK1	60 A	
J	80 A	
Terminal Size Acceptability (Cu Conductors only, 75°C)	14-8 AWG	
Terminal Torque	16 lb. in. (1.8 Nm)	
Screw Head Type	No. 2 Pozidrive	



Weight 0.172 kg (0.379 lb.) (3 pole)
0.215 kg (0.474 lb.) (4 pole)

Accessories

Extended Handle Applications (Door Interlock Mechanism)

Shaft	L(1,2,3)00AD11-ST
Handles	LK10 (Y/R) UL, LK11 (Y/R) U
Auxiliary Switch	KU1.V, KU2.V
Fuse Holder	–

Direct Handle Applications

Handle for 3 Pole	K/KU3P (Y/R)
Handle for 4 Pole	K/KU4P (Y/R)
Door Mounting Kits	OKA/KU LK10 x; OKA x

KU325N

Specifications

No. of Poles	3 (4 pole - KU425N)	
General Purpose Current	25 A	
Maximum Voltage	600V AC	
Motor FLA @ 480V AC	21 A	
Motor FLA @ 600V AC	11 A	
Horsepower Rating /HP	1 Phase	3 Phase
110-120V AC	1.5	3
200V AC	2	5
208V AC	2	5
220-240V AC	3	5
265V AC	–	7.5
277V AC	–	7.5
380-415V AC	–	10
440-480V AC	–	15
550-600V AC	–	10
Short Circuit Withstand Rating at 600 V with Max.	10 kA	
Fuse Size/Class:		
K5	30 A	
RK5	30 A	
RK1	60 A	
J	80 A	
Terminal Size Acceptability (Cu Conductors only, 75°C)	14-8 AWG	
Terminal Torque	16 lb. in. (1.8 Nm)	
Screw Head Type	No. 2 Pozidrive	



Weight 0.172 kg (0.379 lb.) (3 pole)
0.215 kg (0.474 lb.) (4 pole)

Accessories

Extended Handle Applications (Door Interlock Mechanism)

Shaft	L(1,2,3)00AD11-ST
Handles	LK10 (Y/R) UL, LK11 (Y/R) U
Auxiliary Switch	KU1.V, KU2.V
Fuse Holder	–

Direct Handle Applications

Handle for 3 Pole	K/KU3P (Y/R)
Handle for 4 Pole	K/KU4P (Y/R)
Door Mounting Kits	OKA/KU LK10 x; OKA x

Extended/Direct Handle Motor Disconnect Switch

KU340N

Specifications

No. of Poles	3 (4 pole - KU440N)	
General Purpose Current	40 A	
Maximum Voltage	600V AC	
Motor FLA @ 480V AC	27 A	
Motor FLA @ 600V AC	17 A	
Horsepower Rating /HP	1 Phase	3 Phase
110-120V AC	2	3
200V AC	3	7.5
208V AC	3	7.5
220-240V AC	5	7.5
265V AC	-	10
277V AC	-	10
380-415V AC	-	15
440-480V AC	-	20
550-600V AC	-	15
Short Circuit Withstand Rating at 600 V with Max. Fuse Size/Class:	10 kA	
K5	30 A	
RK5	30 A	
RK1	60 A	
J	80 A	
Terminal Size Acceptability (Cu Conductors only, 75°C)	14-8 AWG	
Terminal Torque	16 lb. in. (1.8 Nm)	
Screw Head Type	No. 2 Pozidrive	



Weight 0.172 kg (0.379 lb.) (3 pole)
0.215 kg (0.474 lb.) (4 pole)

Accessories

Extended Handle Applications (Door Interlock Mechanism)

Shaft	L(1,2,3)00AD11-ST
Handles	LK10 (Y/R) UL, LK11 (Y/R) U
Auxiliary Switch	KU1.V, KU2.V
Fuse Holder	KV 10x38, KV 10x38 CC

Direct Handle Applications

Handle for 3 Pole	K/KU3P (Y/R)
Handle for 4 Pole	K/KU4P (Y/R)
Door Mounting Kits	OKA/KU LK10 x; OKA x

KU363N

Specifications

No. of Poles	3 (4 pole - KU463N)	
General Purpose Current	60 A	
Maximum Voltage	600V AC	
Motor FLA @ 480V AC	34 A	
Motor FLA @ 600V AC	27 A	
Horsepower Rating /HP	1 Phase	3 Phase
110-120V AC	3	5
200V AC	5	10
208V AC	5	10
220-240V AC	7.5	10
265V AC	-	10
277V AC	-	10
380-415V AC	-	20
440-480V AC	-	25
550-600V AC	-	25
Short Circuit Withstand Rating at 600 V with Max. Fuse Size/Class:	10 kA	
K5	30 A	
RK5	30 A	
RK1	60 A	
J	100 A	
Terminal Size Acceptability (Cu Conductors only, 75°C)	12-4 AWG	
Terminal Torque	16 lb. in. (1.8 Nm)	
Screw Head Type	No. 2 Pozidrive	



Weight 0.200 kg (0.441 lb.) (3 pole)
0.245 kg (0.540 lb.) (4 pole)

Accessories

Extended Handle Applications (Door Interlock Mechanism)

Shaft	L(1,2,3)00AD11-ST
Handles	LK10 (Y/R) UL, LK11 (Y/R) U
Auxiliary Switch	KU1.V, KU2.V
Fuse Holder	-

Direct Handle Applications

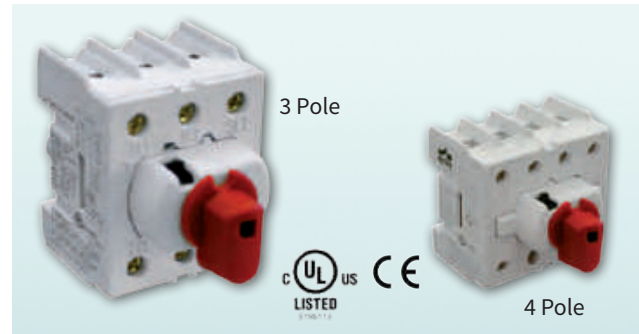
Handle for 3 Pole	K/KU3P (Y/R)
Handle for 4 Pole	K/KU4P (Y/R)
Door Mounting Kits	OKA/KU LK10 x; OKA x



KU380N

Specifications

No. of Poles	3 (4 pole - KU480N)	
General Purpose Current	80 A	
Maximum Voltage	600V AC	
Motor FLA @ 480V AC	40 A	
Motor FLA @ 600V AC	32 A	
Horsepower Rating /HP	1 Phase	3 Phase
110-120V AC	5	7.5
200V AC	7.5	10
208V AC	7.5	10
220-240V AC	10	15
265V AC	-	15
277V AC	-	15
380-415V AC	-	25
440-480V AC	-	30
550-600V AC	-	30
Short Circuit Withstand Rating at 600 V with Max. Fuse Size/Class:	10 kA	
K5	30 A	
RK5	30 A	
RK1	60 A	
J	100 A	
Terminal Size Acceptability (Cu Conductors only, 75°C)	12-4 AWG	
Terminal Torque	16 lb. in. (1.8 Nm)	
Screw Head Type	No. 2 Pozidrive	



Weight	0.200 kg (0.441 lb.) (3 pole)
	0.245 kg (0.540 lb.) (4 pole)

Accessories

Extended Handle Applications (Door Interlock Mechanism)

Shaft	L(1,2,3)00AD11-ST
Handles	LK10 (Y/R) UL, LK11 (Y/R) U
Auxiliary Switch	KU1.V, KU2.V
Fuse Holder	—

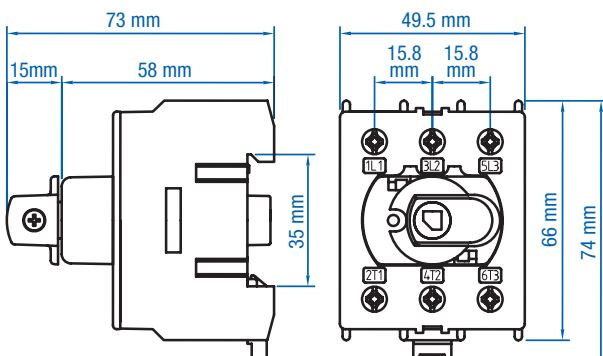
Direct Handle Applications

Handle for 3 Pole	K/KU3P (Y/R)
Handle for 4 Pole	K/KU4P (Y/R)
Door Mounting Kits	OKA/KU LK10 x; OKA x

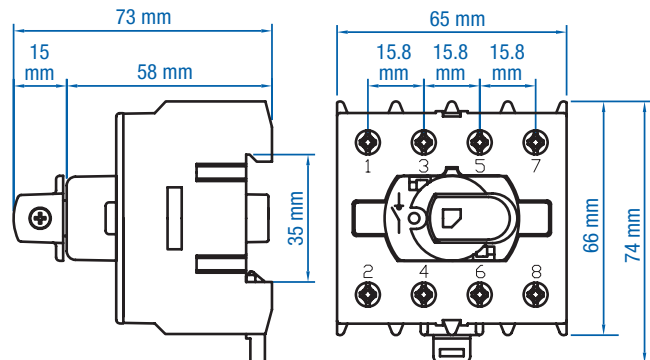
Dimensions

(to convert to inches multiply by 0.03937)

KU3xxN - 3 Pole



KU4xxN - 4 Pole

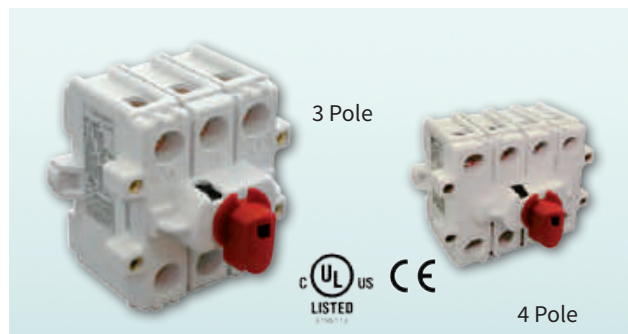


Extended/Direct Handle Motor Disconnect Switch

VKA380N

Specifications

No. of Poles	3 (4 pole - VKA480N)	
General Purpose Current	80 A	
Maximum Voltage	600V AC	
Motor FLA @ 480V AC	-	
Motor FLA @ 600V AC	47 A	
Horsepower Rating /HP	1 Phase	3 Phase
110-120V AC	3	7.5
200V AC	7.5	10
208V AC	7.5	15
220-240V AC	7.5	15
265V AC	10	20
277V AC	10	20
380-415V AC	15	25
440-480V AC	20	30
550-600V AC	25	40
Short Circuit Withstand Rating at 600 V with Max. Fuse Size/Class:	10 kA	
K5	150 A	
RK5	150 A	
RK1	-	
J	200 A	
Terminal Size Acceptability (Cu Conductors only, 75°C)	8-1/0 AWG	
Terminal Torque	50 lb. in. (5.6 Nm)	
Screw Head Type	5 mm Allen Key	



Weight
0.480 kg (1.058 lb.) (3 pole)
0.620 kg (1.367 lb.) (4 pole)

Accessories

Extended Handle Applications (Door Interlock Mechanism)

Shaft	L(1,2,3)00AD11-ST
Handles	LK10 (Y/R) UL, LK11 (Y/R) U
Auxiliary Switch	VKA1.V, VKA2.V
Fuse Holder	-

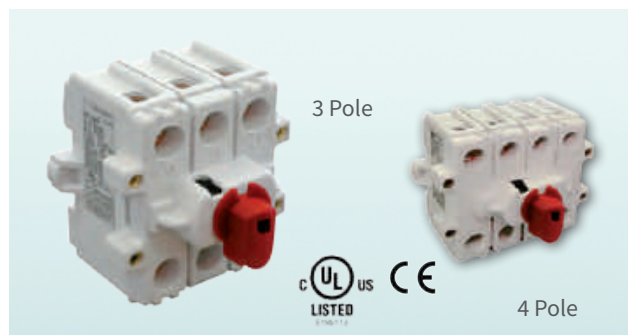
Direct Handle Applications

Handle for 3 & 4 Pole	K/VKA3-4P (Y/R)
Door Mounting Kits	OKA/VKA x

VKA3100N

Specifications

No. of Poles	3 (4 pole - VKA4100N)	
General Purpose Current	100 A	
Maximum Voltage	600V AC	
Motor FLA @ 480V AC	-	
Motor FLA @ 600V AC	54 A	
Horsepower Rating /HP	1 Phase	3 Phase
110-120V AC	3	7.5
200V AC	7.5	15
208V AC	7.5	15
220-240V AC	10	20
265V AC	10	20
277V AC	10	20
380-415V AC	15	30
440-480V AC	20	40
550-600V AC	30	50
Short Circuit Withstand Rating at 600 V with Max. Fuse Size/Class:	10 kA	
K5	150 A	
RK5	150 A	
RK1	-	
J	200 A	
Terminal Size Acceptability (Cu Conductors only, 75°C)	8-1/0 AWG	
Terminal Torque	50 lb. in. (5.6 Nm)	
Screw Head Type	5 mm Allen Key	



Weight
0.480 kg (1.058 lb.) (3 pole)
0.620 kg (1.367 lb.) (4 pole)

Accessories

Extended Handle Applications (Door Interlock Mechanism)

Shaft	L(1,2,3)00AD11-ST
Handles	LK10 (Y/R) UL, LK11 (Y/R) U
Auxiliary Switch	VKA1.V, VKA2.V
Fuse Holder	-

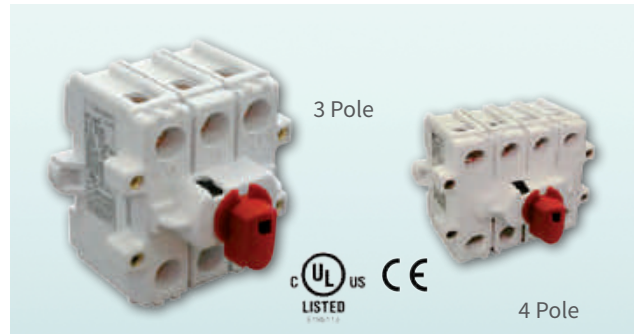
Direct Handle Applications

Handle for 3 & 4 Pole	K/VKA3-4P (Y/R)
Door Mounting Kits	OKA/VKA

VKA3125N

Specifications

No. of Poles	3 (4 pole - VKA4125N)	
General Purpose Current	125 A	
Maximum Voltage	600V AC	
Motor FLA @ 480V AC	-	
Motor FLA @ 600V AC	68 A	
Horsepower Rating /HP	1 Phase	3 Phase
110-120V AC	5	10
200V AC	10	20
208V AC	10	20
220-240V AC	15	25
265V AC	15	25
277V AC	15	30
380-415V AC	20	40
440-480V AC	25	50
550-600V AC	30	60
Short Circuit Withstand Rating at 600 V with Max.	10 kA	
Fuse Size/Class:		
K5	150 A	
RK5	150 A	
RK1	-	
J	200 A	
Terminal Size Acceptability (Cu Conductors only, 75°C)	8-1/0 AWG	
Terminal Torque	50 lb. in. (5.6 Nm)	
Screw Head Type	5 mm Allen Key	



Weight
0.480 kg (1.058 lb.) (3 pole)
0.620 kg (1.367 lb.) (4 pole)

Accessories

Extended Handle Applications (Door Interlock Mechanism)

Shaft	L(1,2,3)00AD11-ST
Handles	LK10 (Y/R) UL, LK11 (Y/R) U
Auxiliary Switch	VKA1.V, VKA2.V
Fuse Holder	-

Direct Handle Applications

Handle for 3 & 4 Pole	K/VKA3-4P (Y/R)
Door Mounting Kits	OKA/VKA x

VKA3160N

Specifications

No. of Poles	3 (4 pole - VKA4160N)	
General Purpose Current	150 A	
Maximum Voltage	600V AC	
Motor FLA @ 480V AC	-	
Motor FLA @ 600V AC	83 A	
Horsepower Rating /HP	1 Phase	3 Phase
110-120V AC	7.5	10
200V AC	10	25
208V AC	10	25
220-240V AC	15	30
265V AC	20	30
277V AC	20	30
380-415V AC	25	50
440-480V AC	30	60
550-600V AC	40	75
Short Circuit Withstand Rating at 600 V with Max.	10 kA	
Fuse Size/Class:		
K5	150 A	
RK5	150 A	
RK1	-	
J	200 A	
Terminal Size Acceptability (Cu Conductors only, 75°C)	8-1/0 AWG	
Terminal Torque	50 lb. in. (5.6 Nm)	
Screw Head Type	5 mm Allen Key	



Weight
0.480 kg (1.058 lb.) (3 pole)
0.620 kg (1.367 lb.) (4 pole)

Accessories

Extended Handle Applications (Door Interlock Mechanism)

Shaft	L(1,2,3)00AD11-ST
Handles	LK10 (Y/R) UL, LK11 (Y/R) U
Auxiliary Switch	KU1.V, KU2.V
Fuse Holder	-

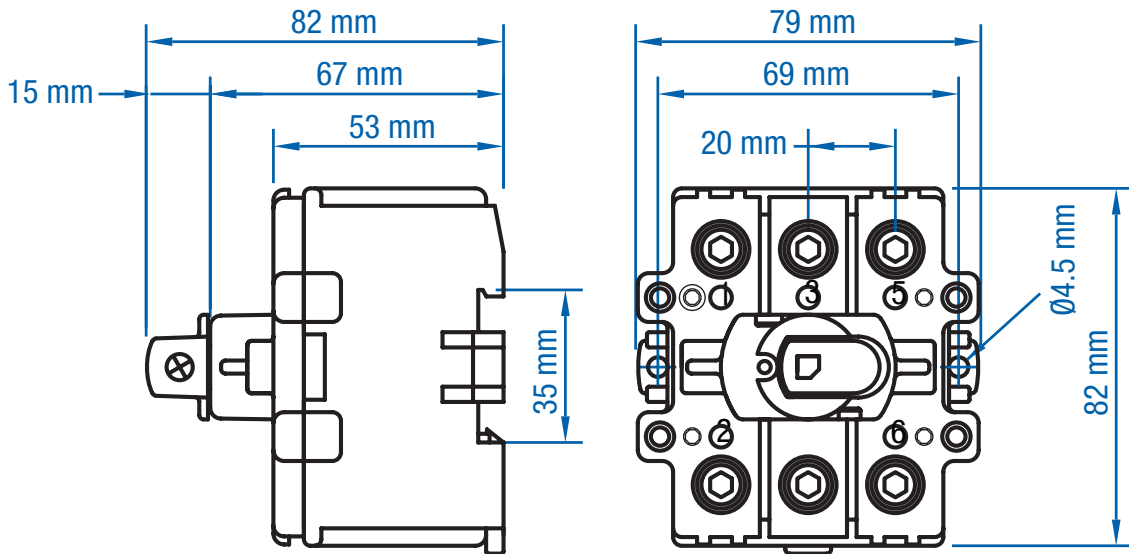
Direct Handle Applications

Handle for 3 & 4 Pole	K/VKA3-4P (Y/R)
Door Mounting Kits	OKA/VKA x

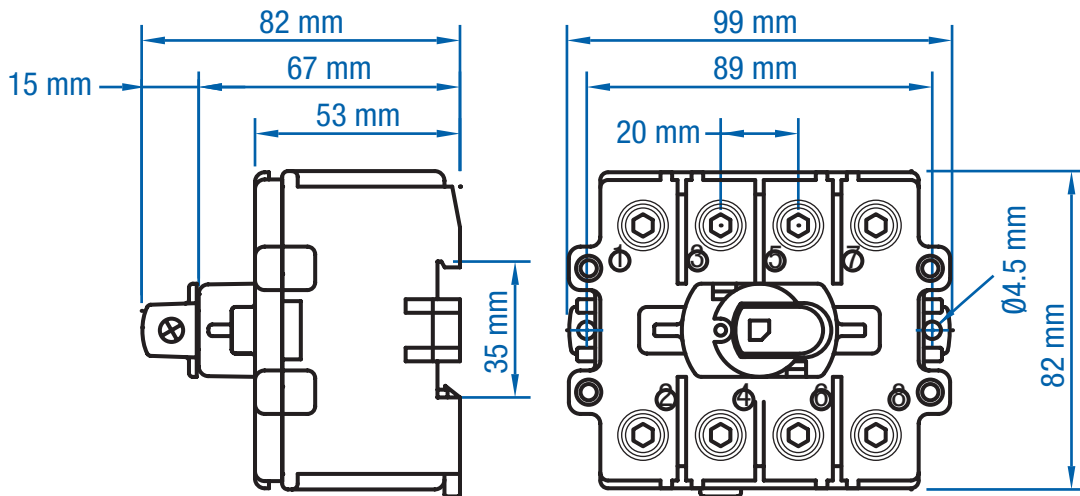
Dimensions

(to convert to inches multiply by 0.03937)

VKA3xxxN - 3 Pole



VKA4xxxN - 4 Pole



1

2

3

4

5

6

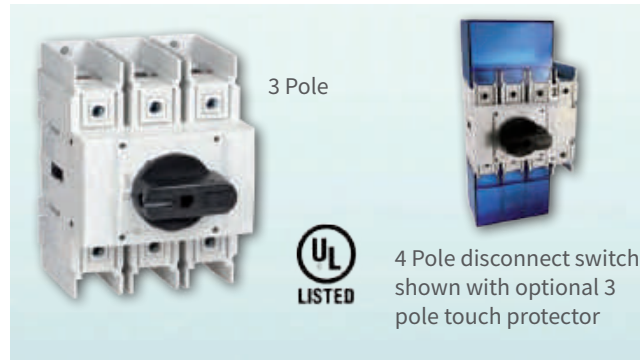
KU360UL98 / KU460UL98

Specifications

No. of Poles	3 or 4	
General Purpose Current	60 A	
Maximum Voltage	600V AC	
Horsepower Rating /HP	1 Phase	3 Phase
120V AC	3	–
240V AC	7.5	20
480V AC	–	40
600V AC	–	60
Short Circuit Withstand Rating at 600 V	50 kA/60 A Class J	
Terminal Size Acceptability (Cu Conductors only, 75°C)	8-1/0 AWG	

Accessories

Door Interlock Shaft	L(1,2,3)00AD11-ST
Handles	LK10 (Y/R) UL, LK11 (Y/R) U
Side Mounted Auxiliary Switch	1.V160KU, 2.V160KU
Blue Tough Protector	LS/VS 160 3P, LS/VS N160



Weight

0.45 kg (1.0 lb.) (3 pole)
0.59 kg (1.3 lb.) (4 pole)

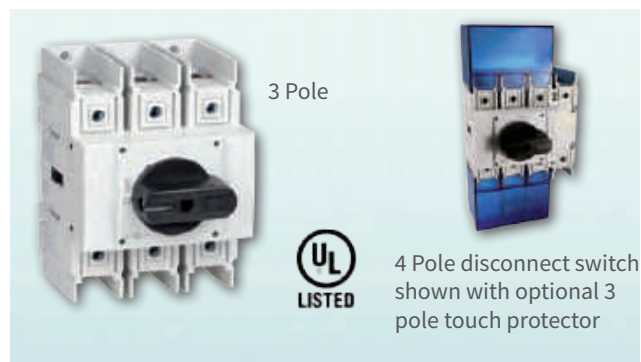
KU3100UL98 / KU4100UL98

Specifications

No. of Poles	3 or 4	
General Purpose Current	100 A	
Maximum Voltage	600V AC	
Horsepower Rating /HP	1 Phase	3 Phase
120V AC	5	–
240V AC	10	25
480V AC	–	50
600V AC	–	75
Short Circuit Withstand Rating at 600 V	50 kA/60 A Class J	
Terminal Size Acceptability (Cu Conductors only, 75°C)	8-1/0 AWG	

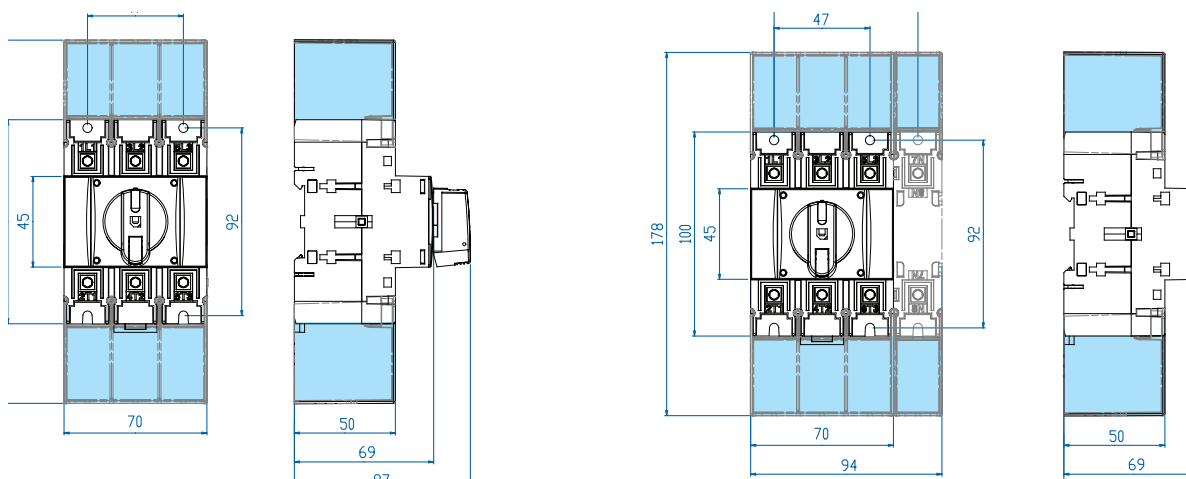
Accessories

Door Interlock Shaft	L(1,2,3)00AD11-ST
Handles	LK10 (Y/R) UL, LK11 (Y/R) U
Side Mounted Auxiliary Switch	1.V160KU, 2.V160KU
Blue Tough Protector	LS/VS 160 3P, LS/VS N160

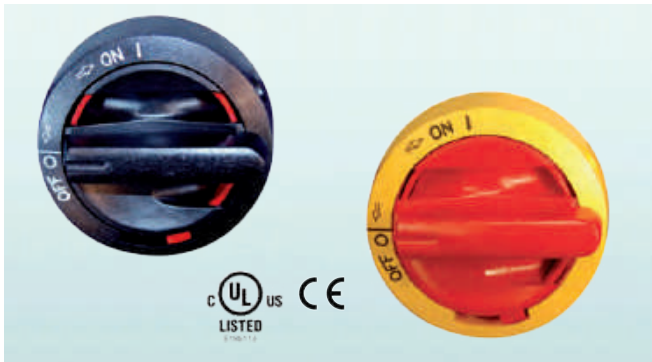


Weight

0.45 kg (1.0 lb.) (3 pole)
0.59 kg (1.3 lb.) (4 pole)



Door Interlock Handles



LK10 UL and LK10 Y/R UL

LK10 (Y/R) UL:

- Single hole mounting (22.5mm)

LK11 (Y/R) U:

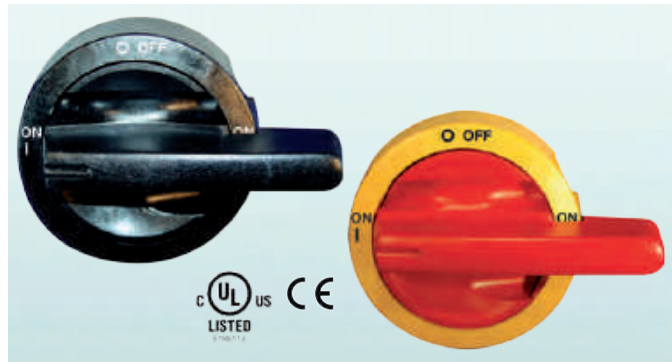
- Retention mechanism (only rotates 90° from off to on, keeps handle in off position while cabinet door is open)

All are padlockable with up to three 1/4" padlocks



Specifications

Environmental Rating (UL)	NEMA Type 4X
Environmental Rating (IEC)	IP66
Color	Black



LK11 U and LK11 Y/R U

LK10 (Y/R) UL:

- Single hole mounting (22.5mm)

LK11 (Y/R) U:

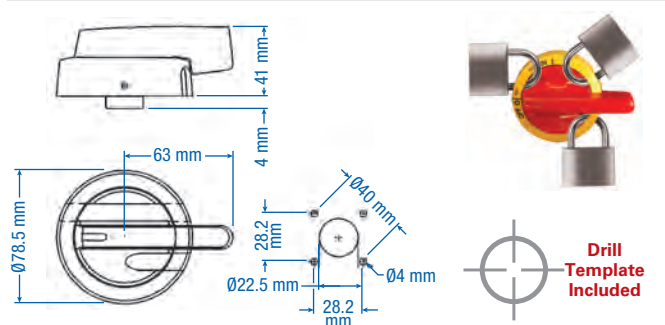
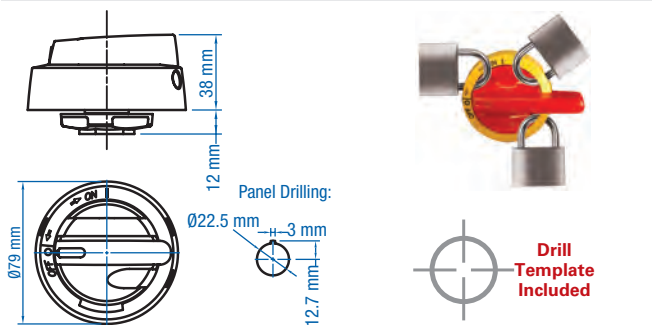
- Retention mechanism (only rotates 90° from off to on, keeps handle in off position while cabinet door is open)

All are padlockable with up to three 1/4" padlocks



Specifications

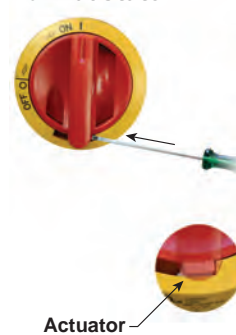
Environmental Rating (UL)	NEMA Type 4X
Environmental Rating (IEC)	IP66
Color	Black



DEFEATABLE MECHANISM - OPERATING INSTRUCTIONS

The defeater mechanism allows a screwdriver to be inserted to release the lock and open the door with the mechanism in the ON position.

Normal State



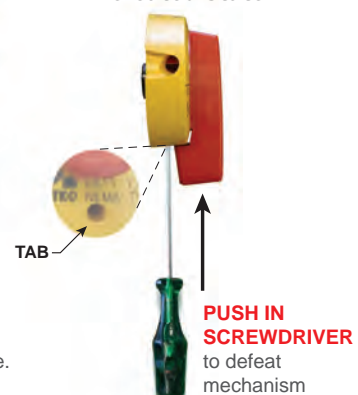
Defeated State



Normal State



Defeated State

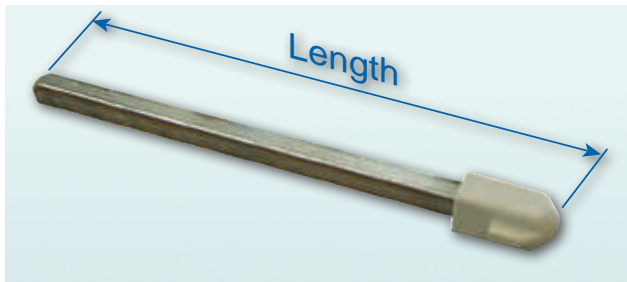


Warning: The defeater mechanism should only be used by a trained professional.

Note: After tab is broken, NEMA Type 4X rating will be lost.

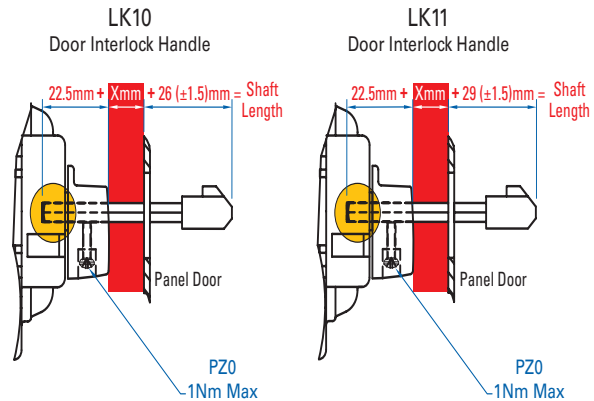


Door Interlock Shaft



The steel shaft ensures reliable operation even in the toughest conditions.

Cat. No.	L100 AD11-ST	L200 AD11-ST	L300AD11-ST
Length (L)	100 mm	200 mm	300 mm
Material	Steel	Steel	Steel



Change-Over Kits

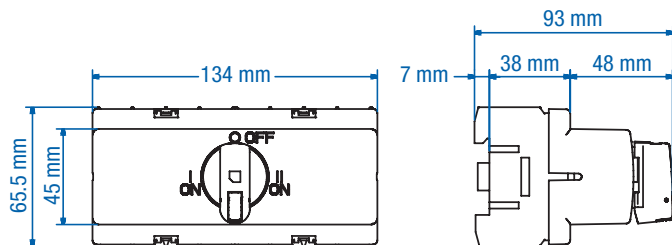


- For 2 KU switches
- Available with black or yellow/red handle (Y/R)

Cat. No.	Color
KU3/4P VV	Black
KU3/4P VV Y/R	Yellow/Red

Matching Handlee

Cat. No.	Color
LK11 1-0-2 U	Black
LK11 1-0-2 Y/R U	Yellow/Red

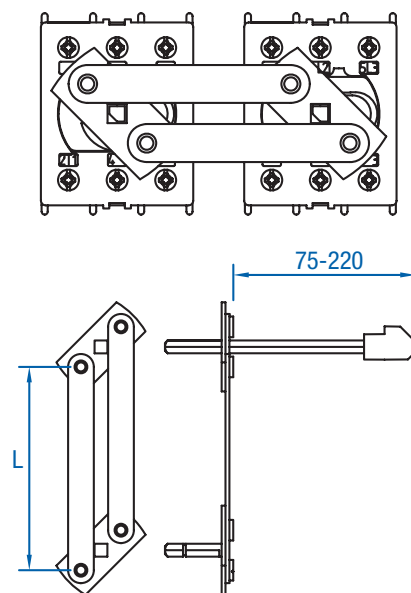


Parallel Kits



- For KU and VKA-switches
- Assembly depth for KU 155-300 mm
- Assembly depth for VKA 164-310 mm
- Includes 200mm steel shaft

Cat. No.	Length (L)	For use with
RV 66S-ST	66 mm	2x KU 3 pole (3P)
RV 80S-ST	80 mm	2x KU 4P/VKA 3P
RV 104S-ST	104 mm	2x VKA 4P

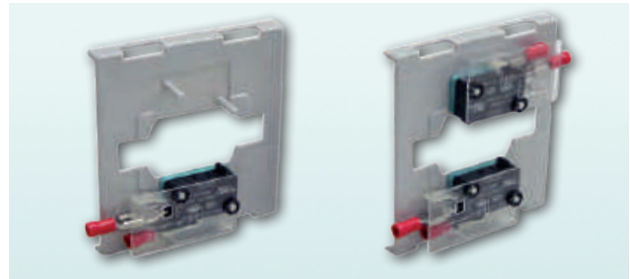
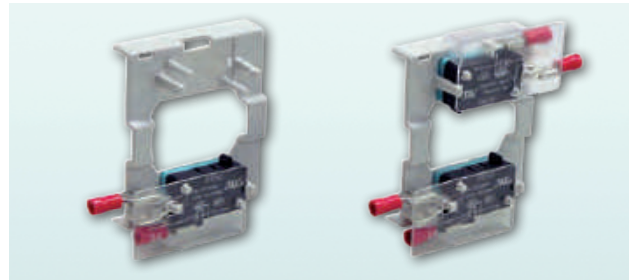


Auxiliary Switches

The auxiliary switches are the snap-on type and can be retrofitted. Makes later and breaks earlier than the main contacts.

Cat. No.	KU1.V	KU2.V
Electrical Rating	16 A/1/2HP/125-250V AC	16 A/1/2HP/125-250V AC
No. of contacts	1n.o./1n.c.	2n.o./2n.c.
For use With	KU models	KU models

Cat. No.	VKA1.V	VKA2.V
Electrical Rating	16 A/1/2HP/125-250V AC	16 A/1/2HP/125-250V AC
No. of contacts	1n.o./1n.c.	2n.o./2n.c.
For use With	VKA models	VKA models



1

2

3

Fuse Holder

This fuseholder can be retrofitted with the KU340N. Therefore design changes can be incorporated with ease to allow a fusible disconnect.

Cat. No.	KKV 332	KKV 332CC
Electrical Rating	30 A/600V AC	30 A/600V AC
Fuse Type	10x38, Midget	Class CC
For use With	-	-
Kit Includes	KV 10x38 / KU340N	KV 10x38 CC / KU340N

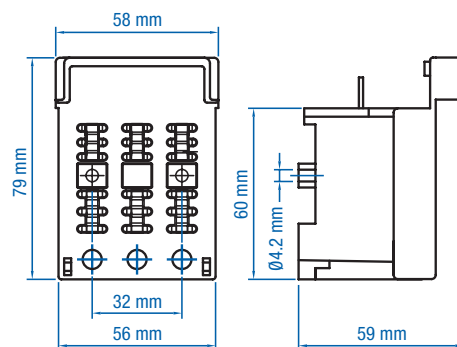
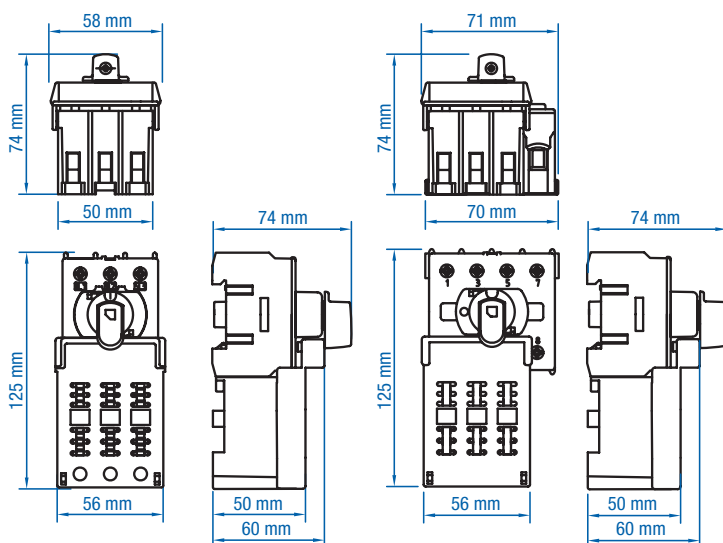
Cat. No.	KV 10x38	KV 10x38 CC
Electrical Rating	30 A/600V AC	30 A/600V AC
Fuse Type	10x38, Midget	Class CC
For use With	KU340N	KU340N
Kit Includes	-	-



4

5

6

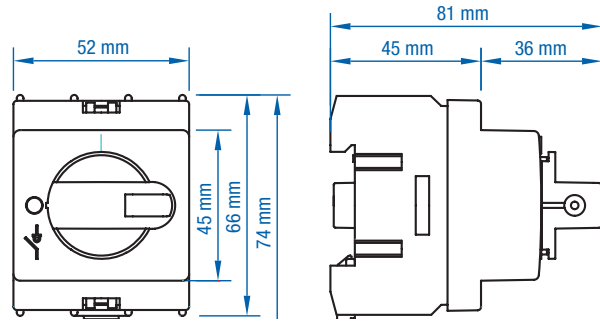


Direct Handles



Improved design with metal shaft. Use for all your “inside the panel” applications. 1 suitcase lock location.

Cat. No.	K/KU3P	K/KU3P Y/R
Color	Black	Yellow/Red
For use with	KU models (3P)	KU models (3P)

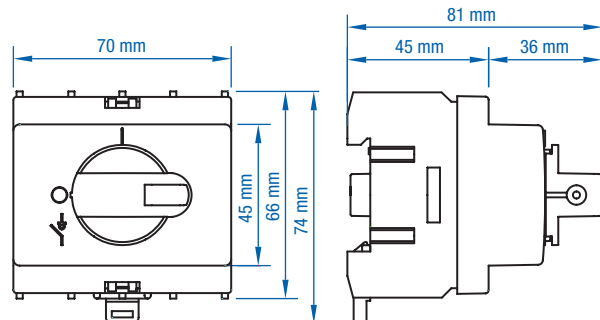


Lockable with 1 suitcase lock.



Improved design with metal shaft. Use for all your “inside the panel” applications. 1 suitcase lock location.

Cat. No.	K/KU4P	K/KU4P Y/R
Color	Black	Yellow/Red
For use with	KU models (4P)	KU models (4P)

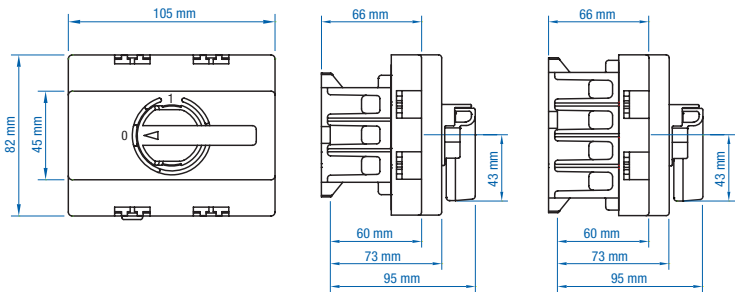


Lockable with 1 suitcase lock.



Improved design with metal shaft. Use for all your “inside the panel” applications. 1 suitcase lock location.

Cat. No.	K/VKA3-4P	K/VKA3-4P Y/R
Color	Black	Yellow/Red
For use with	VKA models (3/4P)	VKA models (3/4P)



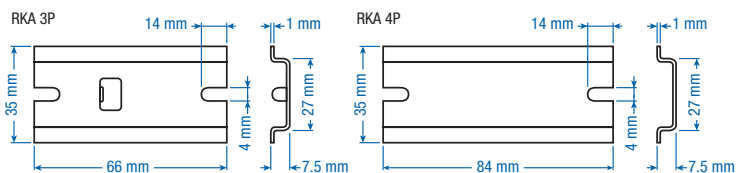
Lockable with 1 suitcase lock.

Aluminum DIN Rail



Panel mount option for small Disconnect Switches.

Cat. No.	RKA 3P	RKA 4P
For use with	KU325/40/63N	KU425/40/63N



NOTE:

In the rare case that your mounting hardware (screws) for DIN Rail interfere with the enforcement studs in the back of the Motor Disconnect Switch please use smaller (≤M3 or equivalent) flathead screws or change your DIN Rail to the 15mm high version.

Mounting Kits for Motor Disconnect Switch

OKA/KU for KU Switches

Designed for fast and easy assembly. Kit includes handle, shaft, mounting hardware and drill template; it does not include motor disconnect switch.

Cat. No. (Black Handle)	Cat. No. (Yellow/Red Handle)	No. of aux. switches	For use with
OKA/KU LK10	OKA/KU LK10 Y/R	0	3 Pole KU switch
OKA/KU LK10 1.V	OKA/KU LK10 1.V Y/R	1	3 Pole KU switch
OKA/KU LK10 2.V	OKA/KU LK10 2.V Y/R	2	3 Pole KU switch
OKA/KU4P LK10	OKA/KU4P LK10 Y/R	0	4 Pole KU switch
OKA/KU4P LK10 1.V	OKA/KU4P LK10 1.V Y/R	1	4 Pole KU switch
OKA/KU4P LK10 2.V	OKA/KU4P LK10 2.V Y/R	2	4 Pole KU switch

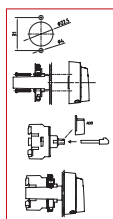
Environmental Rating (UL): NEMA
UL Type 4X
(IEC): IP66



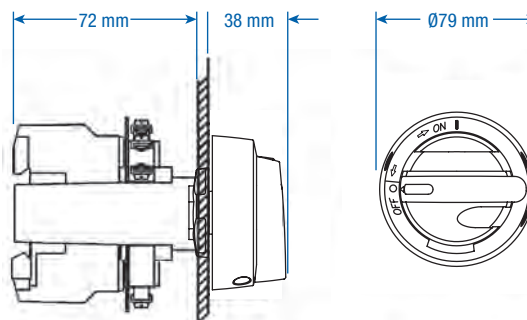
Lockable with up to 3 padlocks.



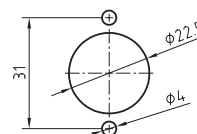
**Drill
Template &
Instructions
Included**



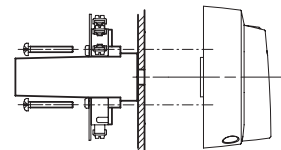
Shown with switch
and display plate.
(sold separately).



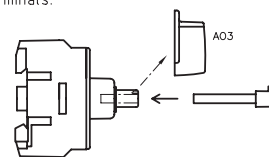
1. Drill the required holes in the door.



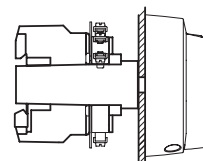
2. Fix the handle and the OKA door mounting kit to the door.



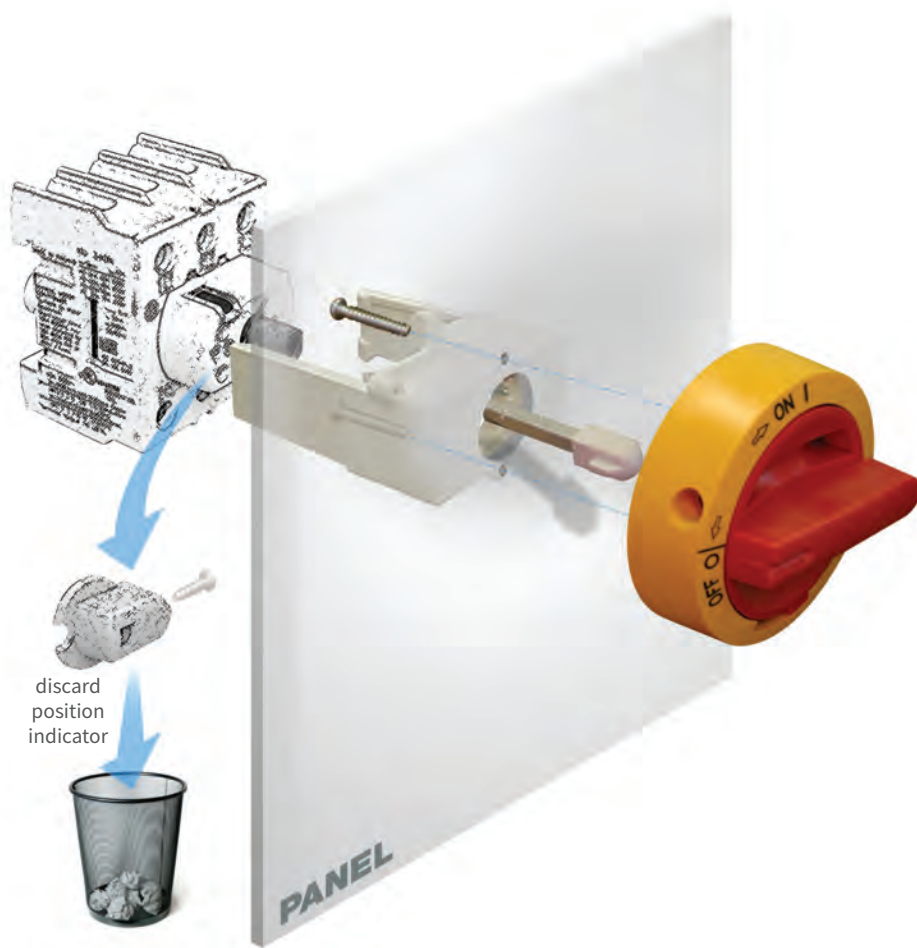
3. Remove position indicator from the switch applicable. Press the shaft (L=52AD11 mm) into the switch. Connect the wires to the terminals.



4. Turn the switch to OFF-position (0). Push the switch in place until the snap-on grips are firmly clipped on both sides of the switch.



WARNING:
Auxiliary contact may be broken if pushed on switch in ON-position (1).



1

2

3

4

5

6

OKA for KU Switches

Designed for fast and easy assembly. Kit includes handle, shaft, mounting hardware and drill template; it does not include motor disconnect switch.

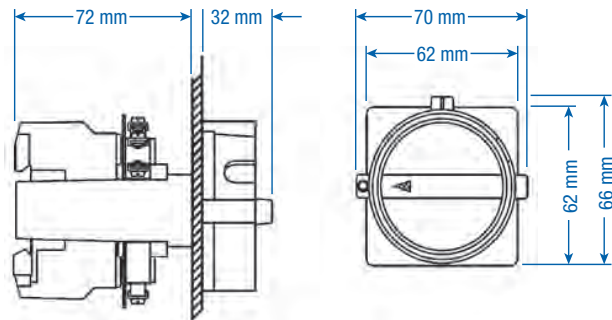
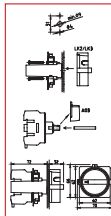
Cat. No. (Black Handle)	Cat. No. (Yellow/Red Handle)	No. of aux. switches	For use with
OKA 0.V	OKA 0.V Y/R	0	3 Pole KU switch
OKA 1.V	OKA 1.V Y/R	1	3 Pole KU switch
OKA 2.V	OKA 2.V Y/R	2	3 Pole KU switch

Environmental Rating (UL): (IEC): IP66

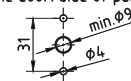
Lockable with up to 3 padlocks.



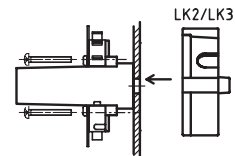
**Drill
Template &
Instructions
Included**



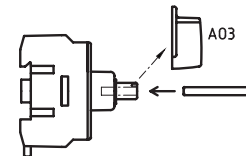
1. Drill required holes in the door/side of panel.



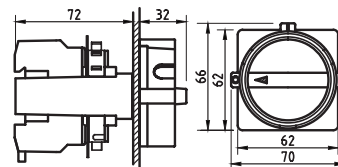
2. Fix the base plate and the OKA door mounting kit to the door.



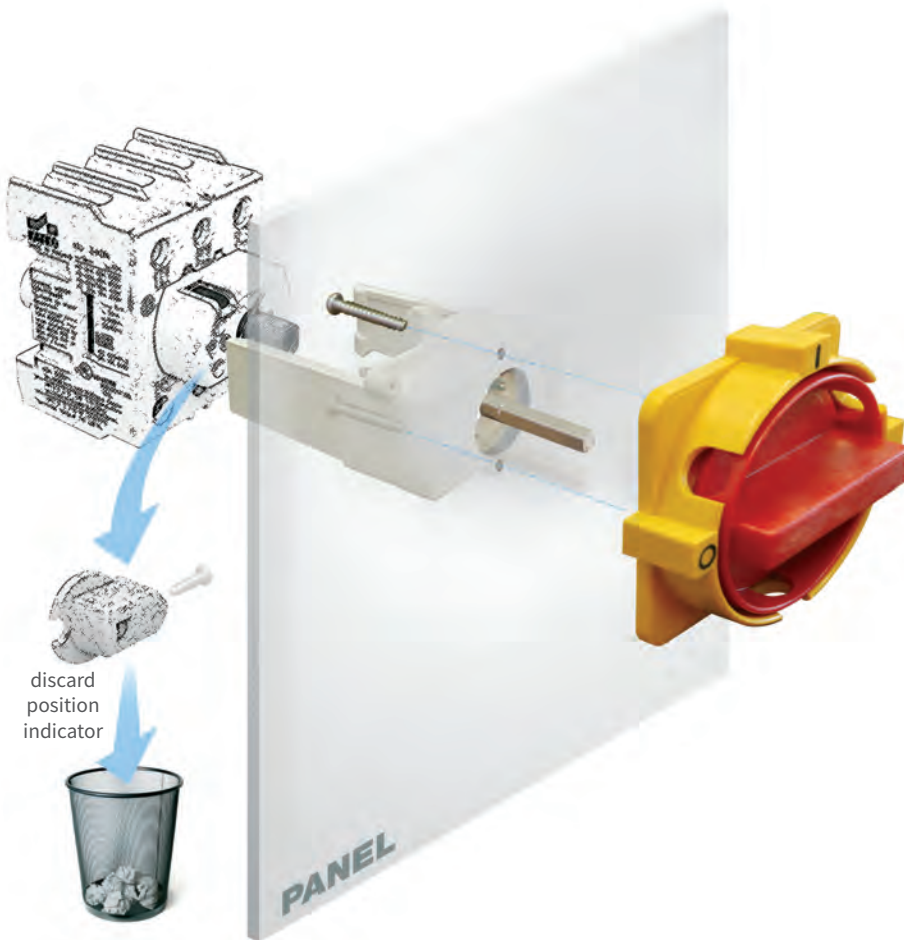
3. Remove position indicator from the switch if applicable. Press the shaft (L=43 mm) into the switch. Connect the wires to the terminals.



4. Turn the switch to off-position (0). Push the switch in place until the snap-on grips are firmly clipped on both sides of the switch.



WARNING:
Auxiliary contact may be broken if pushed on switch in on-position (1).



Mounting Kits for Motor Disconnect Switch

OKA/VKA for VKA Switches

Designed for fast and easy assembly. Kit includes handle, shaft, mounting hardware and drill template; it does not include motor disconnect switch.

Cat. No. (Black Handle)	Cat. No. (Yellow/Red Handle)	No. of aux. switches	For use with
OKA/VKA 0.V	OKA/VKA 0.V Y/R	0	3 Pole VKA switch
OKA/VKA 1.V	OKA/VKA 1.V Y/R	1	3 Pole VKA switch
OKA/VKA 2.V	OKA/VKA 2.V Y/R	2	3 Pole VKA switch
OKA/VKA4P 0.V	OKA/VKA4P 0.V Y/R	0	4 Pole VKA switch
OKA/VKA4P 1.V	OKA/VKA4P 1.V Y/R	1	4 Pole VKA switch
OKA/VKA4P 2.V	OKA/VKA4P 2.V Y/R	2	4 Pole VKA switch

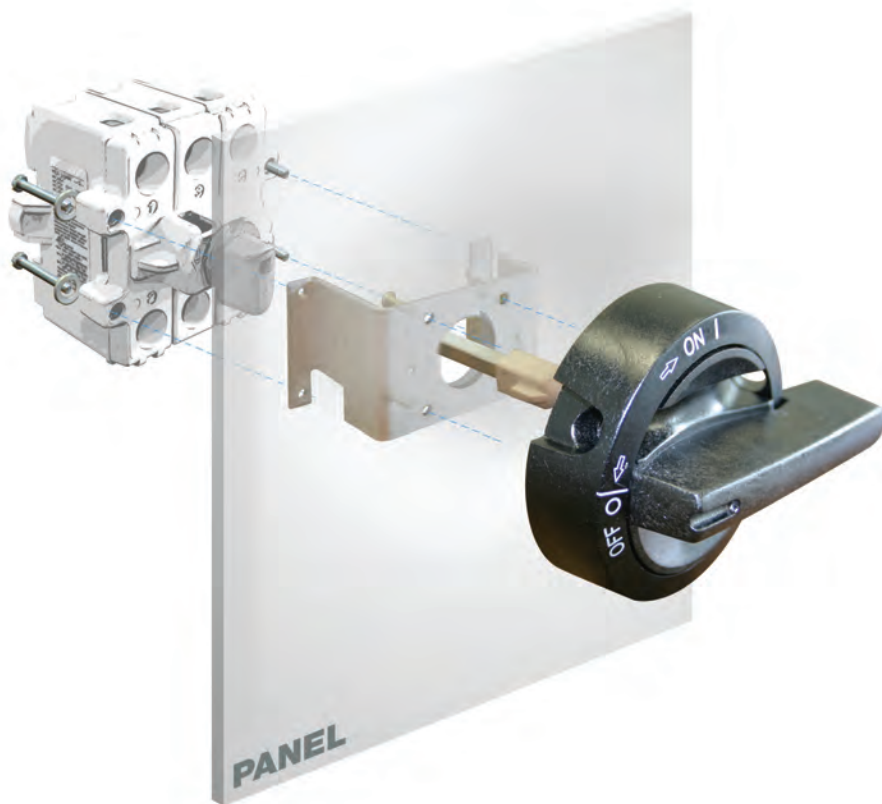
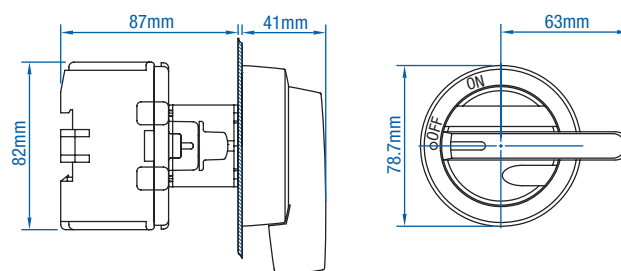
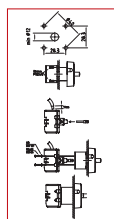
Environmental Rating (UL): NEMA Type 4X
(IEC): IP66



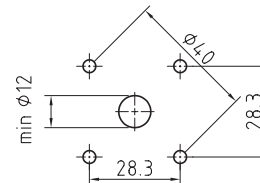
Lockable with up to 3 padlocks.



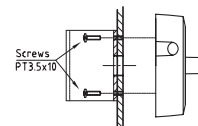
**Drill
Template &
Instructions
Included**



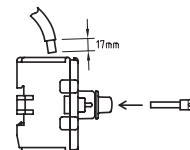
1. Drill the required holes in the door.



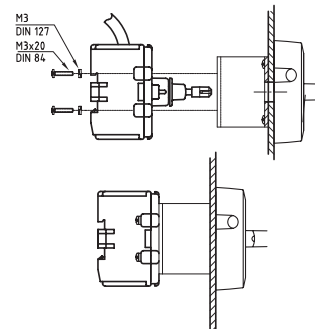
2. Fix the handle LK11 and the OKA door mounting kit to the door.



3. Press the shaft (L=52AD11) into the switch. Connect the wires to the terminals.



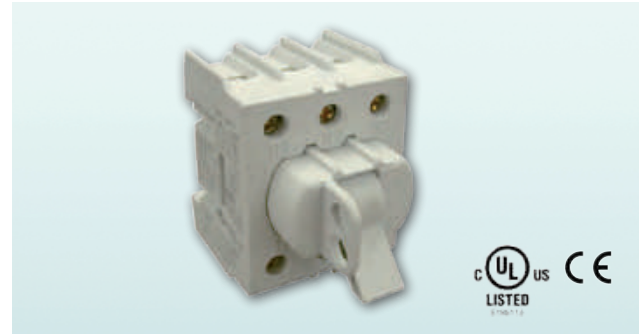
4. Fix the VKA-switch to the OKA plate.



KUE316

Specifications

No. of Poles	3	
General Purpose Current	16 A	
Maximum Voltage	600V AC	
Motor FLA @ 480V AC	14 A	
Motor FLA @ 600V AC	9A	
Horsepower Rating /HP	1 Phase	3 Phase
110-120V AC	1	2
200V AC	1.5	3
208V AC	1.5	3
220-240V AC	2	3
265V AC	–	5
277V AC	–	5
380-415V AC	–	7.5
440-480V AC	–	10
550-600V AC	–	7.5
Short Circuit Withstand Rating at 600 V with Max.	10 kA	
Fuse Size/Class:		
K5	30 A	
RK5	30 A	
RK1	60 A	
J	80 A	
Terminal Size	14-8 AWG	
Acceptability (Cu Conductors only, 75°C)		
Terminal Torque	16 lb. in. (1.8 Nm)	
Screw Head Type	No. 2 Pozidrive	




Weight 0.172 kg (0.379 lb.) (3 pole)

Accessories

Cover Plate*	Color	Shape
K/KUE	Rectangular	Grey
K/KUE Y	Rectangular	Yellow
R/KUE	Circular	grey
R/KUE Y	Circular	Yellow

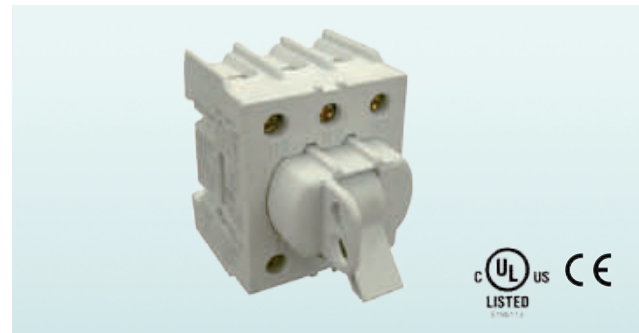
*IP20 touch proof with cover plate

 Lockable with 1 suitcase lock.

KUE325

Specifications

No. of Poles	3	
General Purpose Current	25 A	
Maximum Voltage	600V AC	
Motor FLA @ 480V AC	21 A	
Motor FLA @ 600V AC	11 A	
Horsepower Rating /HP	1 Phase	3 Phase
110-120V AC	1.5	4
200V AC	2	5
208V AC	2	5
220-240V AC	3	5
265V AC	–	7.5
277V AC	–	7.5
380-415V AC	–	10
440-480V AC	–	15
550-600V AC	–	10
Short Circuit Withstand Rating at 600 V with Max.	10 kA	
Fuse Size/Class:		
K5	30 A	
RK5	30 A	
RK1	60 A	
J	80 A	
Terminal Size	14-8 AWG	
Acceptability (Cu Conductors only, 75°C)		
Terminal Torque	16 lb. in. (1.8 Nm)	
Screw Head Type	No. 2 Pozidrive	




Weight 0.172 kg (0.379 lb.) (3 pole)

Accessories

Cover Plate*	Color	Shape
K/KUE	Rectangular	Grey
K/KUE Y	Rectangular	Yellow
R/KUE	Circular	grey
R/KUE Y	Circular	Yellow

*IP20 touch proof with cover plate

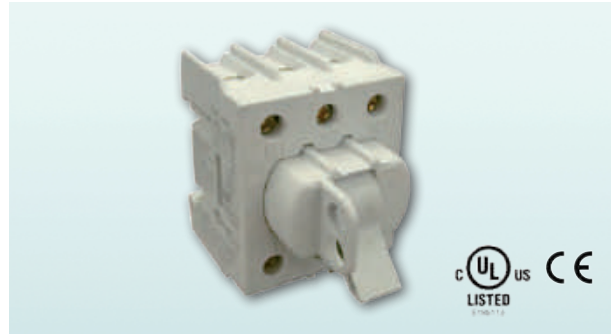
 Lockable with 1 suitcase lock.

Toggle Handle Motor Disconnect Switch

KUE340

Specifications

No. of Poles	3	
General Purpose Current	40 A	
Maximum Voltage	600V AC	
Motor FLA @ 480V AC	27 A	
Motor FLA @ 600V AC	17 A	
Horsepower Rating /HP	1 Phase	3 Phase
110-120V AC	2	3
200V AC	3	7.5
208V AC	3	7.5
220-240V AC	5	7.5
265V AC	-	10
277V AC	-	10
380-415V AC	-	15
440-480V AC	-	20
550-600V AC	-	15
Short Circuit Withstand Rating at 600 V with Max.	10 kA	
Fuse Size/Class:		
K5	30 A	
RK5	30 A	
RK1	60 A	
J	80 A	
Terminal Size		
Acceptability (Cu Conductors only, 75°C)	12-4 AWG	
Terminal Torque	16 lb. in. (1.8 Nm)	
Screw Head Type	No. 2 Pozidrive	




Weight 0.200 kg (0.441 lb.) (3 pole)

Accessories

Cover Plate*	Color	Shape
K/KUE	Rectangular	Grey
K/KUE Y	Rectangular	Yellow
R/KUE	Circular	grey
R/KUE Y	Circular	Yellow

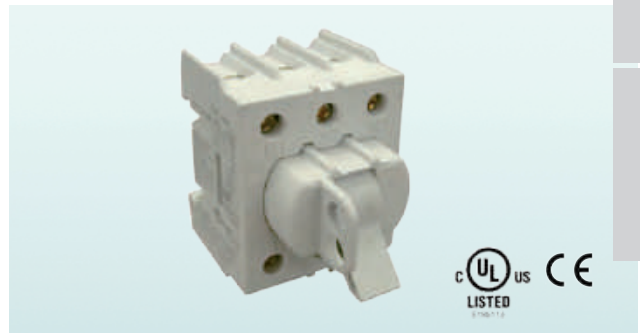
*IP20 touch proof with cover plate

 Lockable with 1 suitcase lock.

KUE363

Specifications

No. of Poles	3	
General Purpose Current	60 A	
Maximum Voltage	600V AC	
Motor FLA @ 480V AC	34 A	
Motor FLA @ 600V AC	27 A	
Horsepower Rating /HP	1 Phase	3 Phase
110-120V AC	3	5
200V AC	5	10
208V AC	5	10
220-240V AC	7.5	10
265V AC	-	10
277V AC	-	10
380-415V AC	-	20
440-480V AC	-	25
550-600V AC	-	25
Short Circuit Withstand Rating at 600 V with Max.	10 kA	
Fuse Size/Class:		
K5	30 A	
RK5	30 A	
RK1	60 A	
J	100 A	
Terminal Size		
Acceptability (Cu Conductors only, 75°C)	12-4 AWG	
Terminal Torque	16 lb. in. (1.8 Nm)	
Screw Head Type	No. 2 Pozidrive	




Weight 0.200 kg (0.441 lb.) (3 pole)

Accessories

Cover Plate*	Color	Shape
K/KUE	Rectangular	Grey
K/KUE Y	Rectangular	Yellow
R/KUE	Circular	grey
R/KUE Y	Circular	Yellow

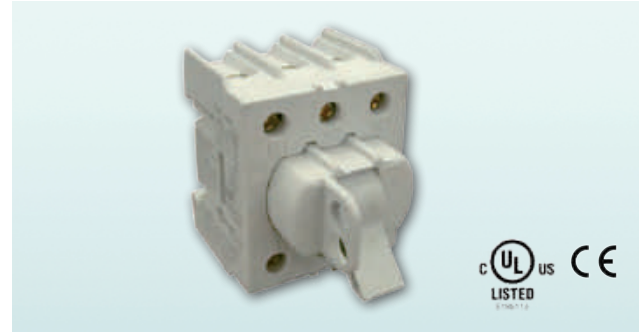
*IP20 touch proof with cover plate

 Lockable with 1 suitcase lock.

KUE380

Specifications

No. of Poles	3	
General Purpose Current	80 A	
Maximum Voltage	600V AC	
Motor FLA @ 480V AC	40 A	
Motor FLA @ 600V AC	32 A	
Horsepower Rating /HP	1 Phase	3 Phase
110-120V AC	5	7.5
200V AC	7.5	10
208V AC	7.5	10
220-240V AC	10	15
265V AC	-	15
277V AC	-	15
380-415V AC	-	25
440-480V AC	-	30
550-600V AC	-	30
Short Circuit Withstand Rating at 600 V with Max. Fuse Size/Class:	10 kA	
K5	30 A	
RK5	30 A	
RK1	60 A	
J	100 A	
Terminal Size	12-4 AWG	
Acceptability (Cu Conductors only, 75°C)	16 lb. in. (1.8 Nm)	
Terminal Torque	No. 2 Pozidrive	
Screw Head Type		




Weight 0.200 kg (0.441 lb.) (3 pole)

Accessories

Cover Plate*	Color	Shape
K/KUE	Rectangular	Grey
K/KUE Y	Rectangular	Yellow
R/KUE	Circular	grey
R/KUE Y	Circular	Yellow

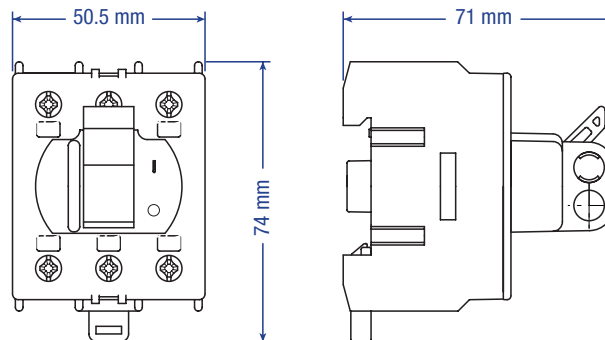
*IP20 touch proof with cover plate

 Lockable with 1 suitcase lock.

Dimensions

(to convert to inches multiply by 0.03937)

KUE3xx - 3 Pole

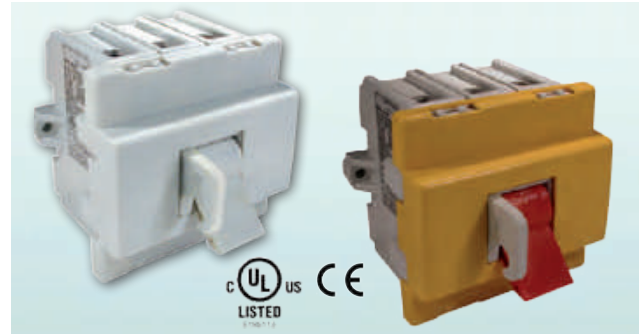


Toggle Handle Motor Disconnect Switch

EVA380

Specifications

No. of Poles	3	
General Purpose Current	80 A	
Maximum Voltage	600V AC	
Motor FLA @ 480V AC	—	
Motor FLA @ 600V AC	47 A	
Horsepower Rating /HP	1 Phase	3 Phase
110-120V AC	3	7.5
200V AC	7.5	10
208V AC	7.5	15
220-240V AC	7.5	15
265V AC	10	20
277V AC	10	20
380-415V AC	15	25
440-480V AC	20	30
550-600V AC	25	40
Short Circuit Withstand Rating at 600 V with Max. Fuse Size/Class:	10 kA	
K5	150 A	
RK5	150 A	
RK1	—	
J	200 A	
Terminal Size Acceptability (Cu Conductors only, 75°C)	8-1/0 AWG	
Terminal Torque	50 lb. in. (5.6 Nm)	
Screw Head Type	5 mm Allen Key	



Colors

White Cover/ White Handle
Yellow Cover/ Red Handle

Cat. No.

EVA380 + K/EVA
EVA380 + K/EVA Y/R

Weight

0.480 kg (1.058 lb.) (3 pole)



Lockable with 1 suitcase lock.

1

2

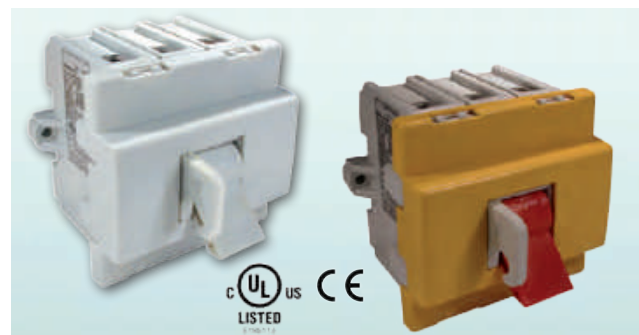
3

4

EVA3100

Specifications

No. of Poles	3	
General Purpose Current	100 A	
Maximum Voltage	600V AC	
Motor FLA @ 480V AC	—	
Motor FLA @ 600V AC	54 A	
Horsepower Rating /HP	1 Phase	3 Phase
110-120V AC	3	7.5
200V AC	7.5	15
208V AC	7.5	15
220-240V AC	10	20
265V AC	10	20
277V AC	10	20
380-415V AC	15	30
440-480V AC	20	40
550-600V AC	30	50
Short Circuit Withstand Rating at 600 V with Max. Fuse Size/Class:	10 kA	
K5	150 A	
RK5	150 A	
RK1	—	
J	200 A	
Terminal Size Acceptability (Cu Conductors only, 75°C)	8-1/0 AWG	
Terminal Torque	50 lb. in. (5.6 Nm)	
Screw Head Type	5 mm Allen Key	



Colors

White Cover/ White Handle
Yellow Cover/ Red Handle

Cat. No.

EVA3100 + K/EVA
EVA3100 + K/EVA Y/R

Weight

0.480 kg (1.058 lb.) (3 pole)



Lockable with 1 suitcase lock.

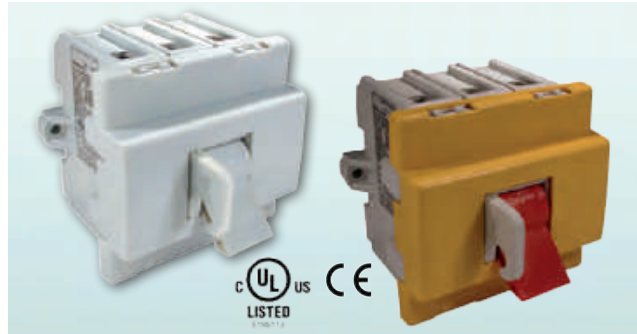
5

6

EVA3125

Specifications

No. of Poles	3	
General Purpose Current	125 A	
Maximum Voltage	600V AC	
Motor FLA @ 480V AC	-	
Motor FLA @ 600V AC	68 A	
Horsepower Rating /HP	1 Phase	3 Phase
110-120V AC	5	10
200V AC	10	20
208V AC	10	20
220-240V AC	15	25
265V AC	15	25
277V AC	15	30
380-415V AC	20	40
440-480V AC	25	50
550-600V AC	30	60
Short Circuit Withstand Rating at 600 V with Max.	10 kA	
Fuse Size/Class:		
K5	150 A	
RK5	150 A	
RK1	-	
J	200 A	
Terminal Size Acceptability (Cu Conductors only, 75°C)	8-1/0 AWG	
Terminal Torque	50 lb. in. (5.6 Nm)	
Screw Head Type	5 mm Allen Key	



Colors

White Cover/ White Handle
Yellow Cover/ Red Handle

Cat. No.

EVA3125 + K/EVA
EVA3125 + K/EVA Y/R

Weight

0.480 kg (1.058 lb.) (3 pole)

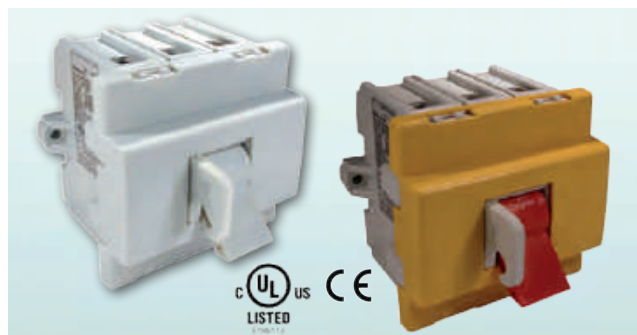


Lockable with 1 suitcase lock.

EVA3160

Specifications

No. of Poles	3	
General Purpose Current	150 A	
Maximum Voltage	600V AC	
Motor FLA @ 480V AC	-	
Motor FLA @ 600V AC	83 A	
Horsepower Rating /HP	1 Phase	3 Phase
110-120V AC	7.5	10
200V AC	10	25
208V AC	10	25
220-240V AC	15	30
265V AC	20	30
277V AC	20	30
380-415V AC	25	50
440-480V AC	30	60
550-600V AC	40	75
Short Circuit Withstand Rating at 600 V with Max.	10 kA	
Fuse Size/Class:		
K5	150 A	
RK5	150 A	
RK1	-	
J	200 A	
Terminal Size Acceptability (Cu Conductors only, 75°C)	8-1/0 AWG	
Terminal Torque	50 lb. in. (5.6 Nm)	
Screw Head Type	5 mm Allen Key	



Colors

White Cover/ White Handle
Yellow Cover/ Red Handle

Cat. No.

EVA3160 + K/EVA
EVA3160 + K/EVA Y/R

Weight

0.480 kg (1.058 lb.) (3 pole)

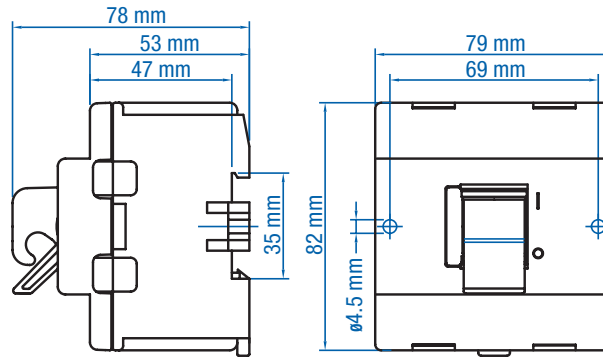


Lockable with 1 suitcase lock.

Dimensions

(to convert to inches multiply by 0.03937)

KUE3xx - 3 Pole



**Special Black Toggle Handle
Motor Disconnect Switch**
EVA3100 + K/EVAB

1

2

3

4

5

6

KEM316UL

Specifications

No. of Poles	3 or 4	
General Purpose Current	16 A	
Maximum Voltage	600V AC	
Motor FLA @ 480V AC	14 A	
Motor FLA @ 600V AC	9A	
Horsepower Rating /HP	1 Phase	3 Phase
110-120V AC	1	2
200V AC	1.5	3
208V AC	1.5	3
220-240V AC	2	3
265V AC	-	5
277V AC	-	5
380-415V AC	-	7.5
440-480V AC	-	10
550-600V AC	-	7.5
Short Circuit Withstand Rating at 600 V with Max.	10 kA	
Fuse Size/Class:		
K5	30 A	
RK5	30 A	
RK1	60 A	
J	80 A	
Terminal Size Acceptability (Cu Conductors only, 75°C)	14-8 AWG	
Terminal Torque	16 lb. in. (1.8 Nm)	
Screw Head Type	No. 2 Pozidrive	
Environmental Rating	NEMA Type 4X	
Enclosure Type Used	U2	



Features

- Can be used locally at the motor
- NEMA Type 4X
- IEC IP65 Protection Level
- UV resistant
- Resistant to many chemicals
- Lockable - Defeatable Handle

Colors

- Black Handle (3 pole)
- Yellow/ Red Handle (3 pole)
- Black Handle (4 pole)
- Yellow/ Red Handle (4 pole)

Cat. No.

- KEM316UL
- KEM316UL Y/R
- KEM416UL
- KEM416UL Y/R

Enclosure Size

U2

Weight

0.49 kg (1.08 lb.)

Accessories

Auxiliary Contact

KU1.V, KU2.V

KEM325UL

Specifications

No. of Poles	3 or 4	
General Purpose Current	25 A	
Maximum Voltage	600V AC	
Motor FLA @ 480V AC	21 A	
Motor FLA @ 600V AC	11 A	
Horsepower Rating /HP	1 Phase	3 Phase
110-120V AC	1.5	3
200V AC	2	5
208V AC	2	5
220-240V AC	3	5
265V AC	-	7.5
277V AC	-	7.5
380-415V AC	-	10
440-480V AC	-	15
550-600V AC	-	10
Short Circuit Withstand Rating at 600 V with Max.	10 kA	
Fuse Size/Class:		
K5	30 A	
RK5	30 A	
RK1	60 A	
J	80 A	
Terminal Size Acceptability (Cu Conductors only, 75°C)	14-8 AWG	
Terminal Torque	16 lb. in. (1.8 Nm)	
Screw Head Type	No. 2 Pozidrive	
Environmental Rating	NEMA Type 4X	
Enclosure Type Used	U2	



Features

- Can be used locally at the motor
- NEMA Type 4X
- IEC IP65 Protection Level
- UV resistant
- Resistant to many chemicals
- Lockable - Defeatable Handle

Colors

- Black Handle (3 pole)
- Yellow/ Red Handle (3 pole)
- Black Handle (4 pole)
- Yellow/ Red Handle (4 pole)

Cat. No.

- KEM325UL
- KEM325UL Y/R
- KEM425UL
- KEM425UL Y/R

Enclosure Size

U2

Weight

0.49 kg (1.08 lb.)

Accessories

Auxiliary Contact

KU1.V, KU2.V

Polycarbonate Enclosed Motor Disconnect Switch

KEM340UL

Specifications

No. of Poles	3 or 4	
General Purpose Current	40 A	
Maximum Voltage	600V AC	
Motor FLA @ 480V AC	27 A	
Motor FLA @ 600V AC	17 A	
Horsepower Rating /HP	1 Phase	3 Phase
110-120V AC	2	3
200V AC	3	7.5
208V AC	3	7.5
220-240V AC	5	7.5
265V AC	-	10
277V AC	-	10
380-415V AC	-	15
440-480V AC	-	20
550-600V AC	-	15
Short Circuit Withstand Rating at 600 V with Max.	10 kA	
Fuse Size/Class:		
K5	30 A	
RK5	30 A	
RK1	60 A	
J	80 A	
Terminal Size Acceptability (Cu Conductors only, 75°C)	14-8 AWG	
Terminal Torque	16 lb. in. (1.8 Nm)	
Screw Head Type	No. 2 Pozidrive	
Environmental Rating	NEMA Type 4X	
Enclosure Type Used	U3	



Features

- Can be used locally at the motor
- NEMA Type 4X
- IEC IP65 Protection Level
- UV resistant
- Resistant to many chemicals
- Lockable - Defeatable Handle

Colors

- Black Handle (3 pole)
- Yellow/ Red Handle (3 pole)
- Black Handle (4 pole)
- Yellow/ Red Handle (4 pole)

Cat. No.

- KEM340UL
- KEM340UL Y/R
- KEM440UL
- KEM440UL Y/R

Enclosure Size

U3

Weight

0.72 kg (1.587 lb.)

Accessories

Auxiliary Contact

KU1.V, KU2.V

KEM360UL

Specifications

No. of Poles	3 or 4	
General Purpose Current	60 A	
Maximum Voltage	600V AC	
Motor FLA @ 480V AC	34 A	
Motor FLA @ 600V AC	27 A	
Horsepower Rating /HP	1 Phase	3 Phase
110-120V AC	3	5
200V AC	5	10
208V AC	5	10
220-240V AC	7.5	10
265V AC	-	10
277V AC	-	10
380-415V AC	-	20
440-480V AC	-	25
550-600V AC	-	25
Short Circuit Withstand Rating at 600 V with Max.	10 kA	
Fuse Size/Class:		
K5	30 A	
RK5	30 A	
RK1	60 A	
J	100 A	
Terminal Size Acceptability (Cu Conductors only, 75°C)	12-4 AWG	
Terminal Torque	16 lb. in. (1.8 Nm)	
Screw Head Type	No. 2 Pozidrive	
Environmental Rating	NEMA Type 4X	
Enclosure Type Used	U3	



Features

- Can be used locally at the motor
- NEMA Type 4X
- IEC IP65 Protection Level
- UV resistant
- Resistant to many chemicals
- Lockable - Defeatable Handle

Colors

- Black Handle (3 pole)
- Yellow/ Red Handle (3 pole)
- Black Handle (4 pole)
- Yellow/ Red Handle (4 pole)

Cat. No.

- KEM360UL
- KEM360UL Y/R
- KEM460UL
- KEM460 UL Y/R

Enclosure Size

U3

Weight

0.773 kg (1.698 lb.)

Accessories

Auxiliary Contact

KU1.V, KU2.V



KEM380CUL

Specifications

No. of Poles	3 or 4	
General Purpose Current	80 A	
Maximum Voltage	600V AC	
Motor FLA @ 480V AC	40 A	
Motor FLA @ 600V AC	32 A	
Horsepower Rating /HP	1 Phase	3 Phase
110-120V AC	5	7.5
200V AC	7.5	10
208V AC	7.5	10
220-240V AC	10	15
265V AC	-	15
277V AC	-	15
380-415V AC	-	25
440-480V AC	-	30
550-600V AC	-	30
Short Circuit Withstand Rating at 600 V with Max.	10 kA	
Fuse Size/Class:		
K5	30 A	
RK5	30 A	
RK1	60 A	
J	100 A	
Terminal Size Acceptability (Cu Conductors only, 75°C)	12-4 AWG	
Terminal Torque	16 lb. in. (1.8 Nm)	
Screw Head Type	No. 2 Pozidrive	
Environmental Rating	NEMA Type 4X	
Enclosure Type Used	U3	



Features

- Can be used locally at the motor
- UV resistant
- NEMA Type 4X
- Resistant to many chemicals
- IEC IP65 Protection Level
- Lockable - Defeatable Handle

Colors

- Black Handle (3 pole)
- Yellow/ Red Handle (3 pole)
- Black Handle (4 pole)
- Yellow/ Red Handle (4 pole)

Cat. No.

- KEM380CUL
- KEM380CUL Y/R
- KEM480CUL
- KEM480CUL Y/R

Enclosure Size

U3

Weight

0.773 kg (1.698 lb.)

Accessories

Auxiliary Contact KU1.V, KU2.V

KEM380UL

Specifications

No. of Poles	3 or 4	
General Purpose Current	80 A	
Maximum Voltage	600V AC	
Motor FLA @ 480V AC	-	
Motor FLA @ 600V AC	47 A	
Horsepower Rating /HP	1 Phase	3 Phase
110-120V AC	3	7.5
200V AC	7.5	10
208V AC	7.5	15
220-240V AC	7.5	15
265V AC	10	20
277V AC	10	20
380-415V AC	15	25
440-480V AC	20	30
550-600V AC	25	40
Short Circuit Withstand Rating at 600 V with Max.	10 kA	
Fuse Size/Class:		
K5	150 A	
RK5	150 A	
RK1	-	
J	200 A	
Terminal Size Acceptability (Cu Conductors only, 75°C)	8-1/ G	
Terminal Torque	50 lb. in. (5.6 Nm)	
Screw Head Type	5 mm Allen Key	
Environmental Rating	NEMA Type 4X	
Enclosure Type Used	U3	



Features

- Can be used locally at the motor
- UV resistant
- NEMA Type 4X
- Resistant to many chemicals
- IEC IP65 Protection Level
- Lockable - Defeatable Handle

Colors

- Black Handle (3 pole)
- Yellow/ Red Handle (3 pole)
- Black Handle (4 pole)
- Yellow/ Red Handle (4 pole)

Cat. No.

- KEM380UL
- KEM380UL Y/R
- KEM480UL
- KEM480UL Y/R

Enclosure Size

U3

Weight

1.021 kg (2.249 lb.)

Accessories

Auxiliary Contact VKA1.V, VKA2.V

Polycarbonate Enclosed Motor Disconnect Switch

KEM3100L

Specifications

No. of Poles	3 or 4	
General Purpose Current	100 A	
Maximum Voltage	600V AC	
Motor FLA @ 480V AC	-	
Motor FLA @ 600V AC	54 A	
Horsepower Rating /HP	1 Phase	3 Phase
110-120V AC	3	7.5
200V AC	7.5	15
208V AC	7.5	15
220-240V AC	10	20
265V AC	10	20
277V AC	10	20
380-415V AC	15	30
440-480V AC	20	40
550-600V AC	30	50
Short Circuit Withstand Rating at 600 V with Max.	10 kA	
Fuse Size/Class:		
K5	150 A	
RK5	150 A	
RK1	-	
J	200 A	
Terminal Size Acceptability (Cu Conductors only, 75°C)	8-1/0 AWG	
Terminal Torque	50 lb. in. (5.6 Nm)	
Screw Head Type	5 mm Allen Key	
Environmental Rating	NEMA Type 4X	
Enclosure Type Used	MF10	



Features

- Can be used locally at the motor
- NEMA Type 4X
- IEC IP65 Protection Level
- UV resistant
- Resistant to many chemicals
- Lockable - Defeatable Handle

Colors

Black Handle (3 pole)
 Yellow/ Red Handle (3 pole)
 Black Handle (4 pole)
 Yellow/ Red Handle (4 pole)

Cat. No.

KEM4100L
 KEM4100L Y/R
 KEM4100L
 KEM4100L Y/R

Enclosure Size

MF10

Weight

1.9051 kg (4.2 lb.)

Accessories

Auxiliary Contact

VKA1.V, VKA2.V

KEM3125L

Specifications

No. of Poles	3 or 4	
General Purpose Current	125 A	
Maximum Voltage	600V AC	
Motor FLA @ 480V AC	-	
Motor FLA @ 600V AC	68 A	
Horsepower Rating /HP	1 Phase	3 Phase
110-120V AC	5	10
200V AC	10	20
208V AC	10	20
220-240V AC	15	25
265V AC	15	25
277V AC	15	30
380-415V AC	20	40
440-480V AC	30	50
550-600V AC	30	60
Short Circuit Withstand Rating at 600 V with Max.	10 kA	
Fuse Size/Class:		
K5	150 A	
RK5	150 A	
RK1	-	
J	200 A	
Terminal Size Acceptability (Cu Conductors only, 75°C)	8-1/0 AWG	
Terminal Torque	50 lb. in. (5.6 Nm)	
Screw Head Type	5 mm Allen Key	
Environmental Rating	NEMA Type 4X	
Enclosure Type Used	MF10	



Features

- Can be used locally at the motor
- NEMA Type 4X
- IEC IP65 Protection Level
- UV resistant
- Resistant to many chemicals
- Lockable - Defeatable Handle

Colors

Black Handle (3 pole)
 Yellow/ Red Handle (3 pole)
 Black Handle (4 pole)
 Yellow/ Red Handle (4 pole)

Cat. No.

KEM4125L
 KEM4125L Y/R
 KEM4125L
 KEM4125L Y/R

Enclosure Size

MF10

Weight

1.9051 kg (4.2 lb.)

Accessories

Auxiliary Contact

VKA1.V, VKA2.V



KEM3150L

Specifications

No. of Poles	3 or 4	
General Purpose Current	150 A	
Maximum Voltage	600V AC	
Motor FLA @ 480V AC	-	
Motor FLA @ 600V AC	83 A	
Horsepower Rating /HP	1 Phase	3 Phase
110-120V AC	7.5	10
200V AC	10	25
208V AC	10	25
220-240V AC	15	30
265V AC	20	30
277V AC	20	30
380-415V AC	25	50
440-480V AC	30	60
550-600V AC	40	75
Short Circuit Withstand Rating at 600 V with Max.	10 kA	
Fuse Size/Class:		
K5	150 A	
RK5	150 A	
RK1	-	
J	200 A	
Terminal Size Acceptability (Cu Conductors only, 75°C)	8-1/0 AWG	
Terminal Torque	50 lb. in. (5.6 Nm)	
Screw Head Type	5 mm Allen Key	
Environmental Rating	NEMA Type 4X	
Enclosure Type Used	MF11UL	



Features

- Can be used locally at the motor
- NEMA Type 4X
- IEC IP65 Protection Level
- UV resistant
- Resistant to many chemicals
- Lockable - Defeatable Handle

Colors

- Black Handle (3 pole)
- Yellow/ Red Handle (3 pole)
- Black Handle (4 pole)
- Yellow/ Red Handle (4 pole)

Cat. No.

- KEM4150L
- KEM4150L Y/R
- KEM4150L
- KEM4150L Y/R

Enclosure Size

MF11UL

Weight

2.8351 kg (6.25 lb.)

Accessories

Auxiliary Contact

VKA1.V, VKA2.V

KKVM332, KKVM332CC, KKVM332 Y/R, KKVM332CC Y/R

Specifications

No. of Poles	3	
General Purpose Current	80 A	
Maximum Voltage	600V AC	
Motor FLA @ 480V AC	-	
Motor FLA @ 600V AC	47 A	
Horsepower Rating /HP		
110-120V AC		
200V AC		
208V AC		
220-240V AC	Cat. No.	
265V AC	KKVM 332 (Y/R)	
277V AC	Fuse Type: 10x38, Midget	
380-415V AC	KKVM 332CC (Y/R)	
440-480V AC	Fuse Type: Class CC	
550-600V AC		
Short Circuit Withstand Rating at 600 V with Max.	10 kA	
Fuse Size/Class:		
K5	50 A	
RK5	50 A	
RK1	80 A	
J	80 A	
Terminal Size Acceptability (Cu Conductors only, 75°C)	14-8 AWG	
Terminal Torque	16 lb. in. (1.8 Nm)	
Screw Head Type	No. 2 Pozidrive	
Environmental Rating	NEMA Type 4X	
Enclosure Type Used	U3	



Features

- Can be used locally at the motor
- NEMA Type 4X
- IEC IP65 Protection Level
- UV resistant
- Resistant to many chemicals
- Lockable - Defeatable Handle

Colors

- Black Handle (10x38, Midget fuse)
- Yellow/ Red Handle (10x38, Midget fuse)
- Black Handle (Class CC fuse)
- Yellow/ Red Handle (Class CC fuse)

Cat. No.

- KKVM332
- KKVM332 Y/R
- KKVM332CC
- KKVM332CC Y/R

Enclosure Size

U3

Weight

0.998 kg (2.2 lb.)

Accessories

Auxiliary Contact

KU1.V, KU2.V

UL98 Polycarbonate Enclosed Motor Disconnect Switch

KEM360UL98 and KEM360UL98 Y/R

Specifications

No. of Poles	3	
General Purpose Current	60 A	
Maximum Voltage	600V AC	
Horsepower Rating /HP	1 Phase	3 Phase
120V AC	3	-
240V AC	7.5	20
480V AC	-	40
6000V AC	-	60
Short Circuit Withstand Rating at 600 V	50 kA/60 A Class J	
Terminal Size Acceptability (Cu Conductors only, 75°C)	8-1/0 AWG	



Features

- Can be used locally at the motor
- UV resistant
- NEMA Type 4X
- Resistant to many chemicals
- IEC IP65 Protection Level
- Lockable - Defeatable Handle

Colors

Black Handle (3 pole)
Yellow/ Red Handle (3 pole)

Cat. No.

KEM360UL98
KEM360UL98 Y/R

Enclosure Size

MF10

Weight

2.4 kg (5.29 lb.)

Accessories

Auxiliary Switches	Cat. No.	1.V160KU	2.V160KU
	No. of Contacts	1n.o./1n.c	2n.o./2n.c.
	Electrical Rating	16 A/1/2HP/125-250V AC	

KEM460UL98 and KEM460UL98 Y/R

Specifications

No. of Poles	4	
General Purpose Current	60 A	
Maximum Voltage	600V AC	
Horsepower Rating /HP	1 Phase	3 Phase
120V AC	3	-
240V AC	7.5	20
480V AC	-	40
6000V AC	-	60
Short Circuit Withstand Rating at 600 V	50 kA/60 A Class J	
Terminal Size Acceptability (Cu Conductors only, 75°C)	8-1/0 AWG	



Features

- Can be used locally at the motor
- UV resistant
- NEMA Type 4X
- Resistant to many chemicals
- IEC IP65 Protection Level
- Lockable - Defeatable Handle

Colors

Black Handle (3 pole)
Yellow/ Red Handle (3 pole)

Cat. No.

KEM460UL98
KEM460UL98 Y/R

Enclosure Size

MF10

Weight

3.3 kg (7.28 lb.)

Accessories

Auxiliary Switches	Cat. No.	1.V160KU	2.V160KU
	No. of Contacts	1n.o./1n.c	2n.o./2n.c.
	Electrical Rating	16 A/1/2HP/125-250V AC	



1

2

3

4

5

6

KEM3100UL98 and KEM3100UL98 Y/R

Specifications

No. of Poles	3
General Purpose Current	100 A
Maximum Voltage	600V AC

Horsepower Rating /HP	1 Phase	3 Phase
120V AC	5	-
240V AC	10	25
480V AC	-	50
6000V AC	-	75

Short Circuit Withstand Rating at 600 V	50 kA/60 A Class J
---	--------------------

Terminal Size Acceptability (Cu Conductors only, 75°C)	8-1/0 AWG
--	-----------



Features

- Can be used locally at the motor
- UV resistant
- NEMA Type 4X
- Resistant to many chemicals
- IEC IP65 Protection Level
- Lockable - Defeatable Handle

Colors

Black Handle (3 pole)
Yellow/ Red Handle (3 pole)

Cat. No.

KEM3100UL98
KEM3100UL98 Y/R

Enclosure Size

MF11UL

Weight

2.5 kg (5.51 lb.)

Accessories

Auxiliary Switches	Cat. No.	1.V160KU	2.V160KU
	No. of Contacts	1n.o./1n.c	2n.o./2n.c.
	Electrical Rating	16 A/1/2HP/125-250V AC	

KEM4100UL98 and KEM4100UL98 Y/R

Specifications

No. of Poles	4
General Purpose Current	100 A
Maximum Voltage	600V AC

Horsepower Rating /HP	1 Phase	3 Phase
120V AC	5	-
240V AC	10	25
480V AC	-	50
6000V AC	-	75

Short Circuit Withstand Rating at 600 V	50 kA/60 A Class J
---	--------------------

Terminal Size Acceptability (Cu Conductors only, 75°C)	8-1/0 AWG
--	-----------



Features

- Can be used locally at the motor
- UV resistant
- NEMA Type 4X
- Resistant to many chemicals
- IEC IP65 Protection Level
- Lockable - Defeatable Handle

Colors

Black Handle (3 pole)
Yellow/ Red Handle (3 pole)

Cat. No.

KEM4100UL98
KEM4100UL98 Y/R

Enclosure Size

MF11UL

Weight

3.4 kg (7.50 lb.)

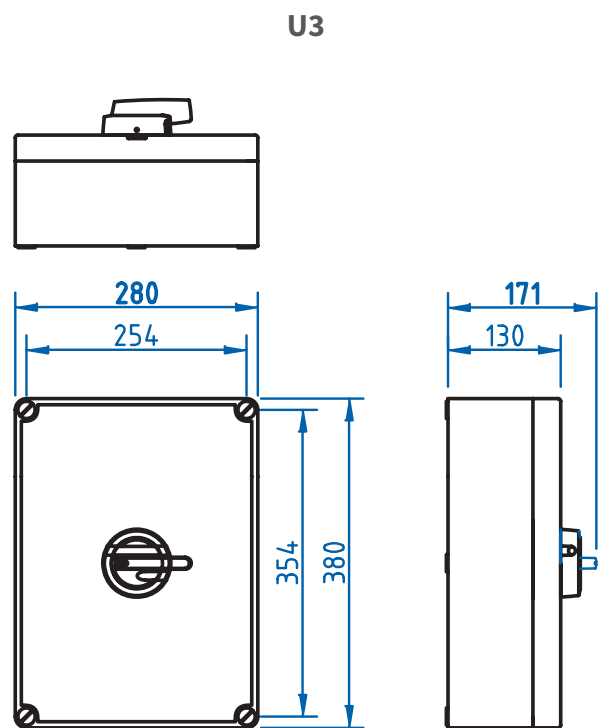
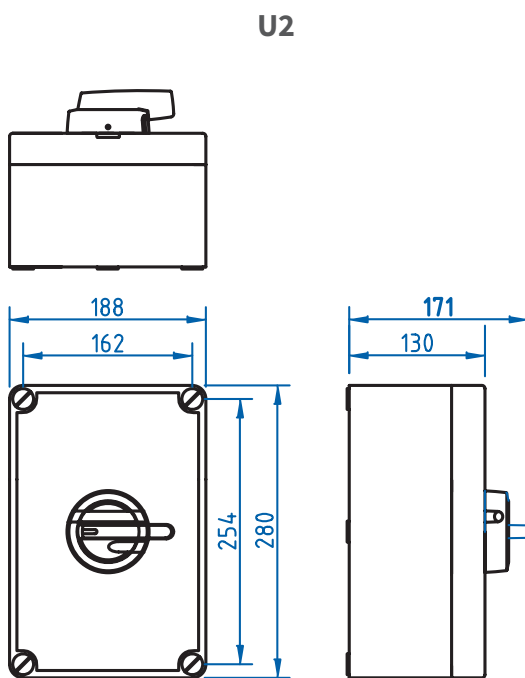
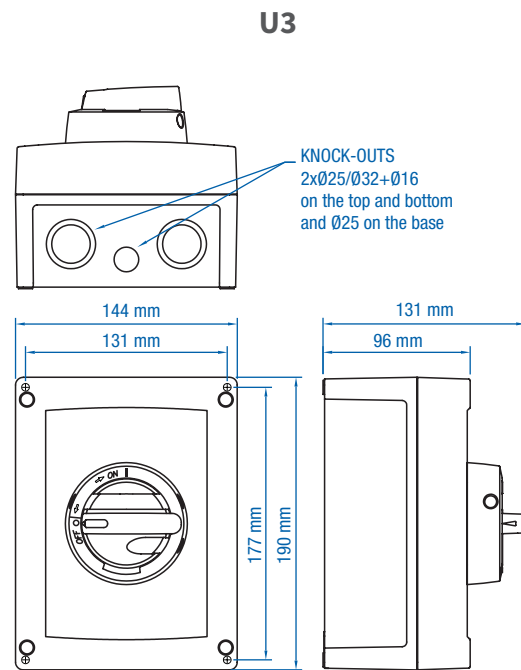
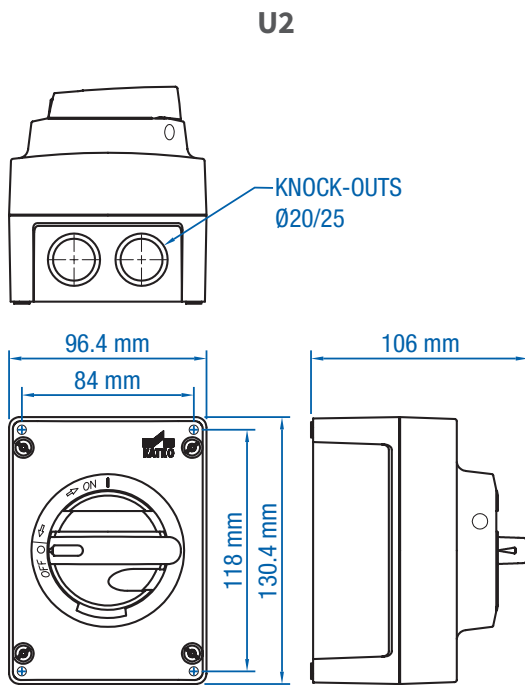
Accessories

Auxiliary Switches	Cat. No.	1.V160KU	2.V160KU
	No. of Contacts	1n.o./1n.c	2n.o./2n.c.
	Electrical Rating	16 A/1/2HP/125-250V AC	

Polycarbonate Enclosed Motor Disconnect Switch

Dimensions

(to convert to inches multiply by 0.03937)



Enclosure Cover Screw Installation (Additional Information)

Enclosure	Screw Type	Torque
U2	Pz2	17.7 lb. in. (2 Nm)
U3	Pz2	17.7 lb. in. (2 Nm)
MF10UL	PH2/1x7	13.3 lb. in. (1.5 Nm)
MF11UL	PH2/1x7	13.3 lb. in. (1.5 Nm)



KEA316UL & KEA316UL Y/R

Specifications

No. of Poles	3 or 4	
General Purpose Current	16 A	
Maximum Voltage	600V AC	
Motor FLA @ 480V AC	14 A	
Motor FLA @ 600V AC	9A	
Horsepower Rating /HP	1 Phase	3 Phase
110-120V AC	1	2
200V AC	1.5	3
208V AC	1.5	3
220-240V AC	2	3
265V AC	-	5
277V AC	-	5
380-415V AC	-	7.5
440-480V AC	-	10
550-600V AC	-	7.5
Short Circuit Withstand Rating at 600 V with Max.	10 kA	
Fuse Size/Class:		
K5	30 A	
RK5	30 A	
RK1	60 A	
J	80 A	
Terminal Size Acceptability (Cu Conductors only, 75°C)	14-8 AWG	
Terminal Torque	16 lb. in. (1.8 Nm)	
Screw Head Type	No. 2 Pozidrive	
Environmental Rating	NEMA Type 4X	
Enclosure Type Used	A2	



Features

- NEMA Type 4X
- IP66 Protection Level
- UV resistant
- Excellent in harsh weather conditions
- Resistant to many chemicals
- Lockable - Defeatable Handle

Colors

- Black Handle (3 pole)
- Yellow/ Red Handle (3 pole)
- Black Handle (4 pole)
- Yellow/ Red Handle (4 pole)

Cat. No.

- KEA316UL
- KEA316UL Y/R
- KEA416UL
- KEA416UL Y/R

Enclosure Size

A2

Weight

0.8 kg (1.76 lb.)

Accessories

Auxiliary Contact

KU1.V, KU2.V

KEA325UL & KEA325UL Y/R

Specifications

No. of Poles	3 or 4	
General Purpose Current	25 A	
Maximum Voltage	600V AC	
Motor FLA @ 480V AC	21 A	
Motor FLA @ 600V AC	11 A	
Horsepower Rating /HP	1 Phase	3 Phase
110-120V AC	1.5	4
200V AC	2	5
208V AC	2	5
220-240V AC	3	5
265V AC	-	7.5
277V AC	-	7.5
380-415V AC	-	10
440-480V AC	-	15
550-600V AC	-	10
Short Circuit Withstand Rating at 600 V with Max.	10 kA	
Fuse Size/Class:		
K5	30 A	
RK5	30 A	
RK1	60 A	
J	80 A	
Terminal Size Acceptability (Cu Conductors only, 75°C)	14-8 AWG	
Terminal Torque	16 lb. in. (1.8 Nm)	
Screw Head Type	No. 2 Pozidrive	
Environmental Rating	NEMA Type 4X	
Enclosure Type Used	A2	



Features

- NEMA Type 4X
- IP66 Protection Level
- UV resistant
- Excellent in harsh weather conditions
- Resistant to many chemicals
- Lockable - Defeatable Handle

Colors

- Black Handle (3 pole)
- Yellow/ Red Handle (3 pole)
- Black Handle (4 pole)
- Yellow/ Red Handle (4 pole)

Cat. No.

- KEA325UL
- KEA325UL Y/R
- KEA425UL
- KEA425UL Y/R

Enclosure Size

A2

Weight

0.8 kg (1.76 lb.)

Accessories

Auxiliary Contact

KU1.V, KU2.V

Aluminum Enclosed Motor Disconnect Switch

KEA340UL & KEA340UL Y/R

Specifications

No. of Poles	3 or 4	
General Purpose Current	40 A	
Maximum Voltage	600V AC	
Motor FLA @ 480V AC	27 A	
Motor FLA @ 600V AC	17 A	
Horsepower Rating /HP	1 Phase	3 Phase
110-120V AC	2	3
200V AC	3	7.5
208V AC	3	7.5
220-240V AC	5	7.5
265V AC	-	10
277V AC	-	10
380-415V AC	-	15
440-480V AC	-	20
550-600V AC	-	15
Short Circuit Withstand Rating at 600 V with Max.	10 kA	
Fuse Size/Class:		
K5	30 A	
RK5	30 A	
RK1	60 A	
J	80 A	
Terminal Size Acceptability (Cu Conductors only, 75°C)	14-8 AWG	
Terminal Torque	16 lb. in. (1.8 Nm)	
Screw Head Type	No. 2 Pozidrive	
Environmental Rating	NEMA Type 4X	
Enclosure Type Used	A2	



Features

- NEMA Type 4X
- IP66 Protection Level
- UV resistant
- Excellent in harsh weather conditions
- Resistant to many chemicals
- Lockable - Defeatable Handle

Colors

Black Handle (3 pole)
 Yellow/ Red Handle (3 pole)
 Black Handle (4 pole)
 Yellow/ Red Handle (4 pole)

Cat. No.

KEA340UL
 KEA340UL Y/R
 KEA440UL
 KEA440UL Y/R

Enclosure Size

A2

Weight

0.8 kg (1.76 lb.)

Accessories

Auxiliary Contact

KU1.V, KU2.V

KEA360UL & KEA360UL Y/R

Specifications

No. of Poles	3 or 4	
General Purpose Current	60 A	
Maximum Voltage	600V AC	
Motor FLA @ 480V AC	34 A	
Motor FLA @ 600V AC	27 A	
Horsepower Rating /HP	1 Phase	3 Phase
110-120V AC	3	5
200V AC	5	10
208V AC	5	10
220-240V AC	7.5	10
265V AC	-	10
277V AC	-	10
380-415V AC	-	20
440-480V AC	-	25
550-600V AC	-	25
Short Circuit Withstand Rating at 600 V with Max.	10 kA	
Fuse Size/Class:		
K5	30 A	
RK5	30 A	
RK1	60 A	
J	100 A	
Terminal Size Acceptability (Cu Conductors only, 75°C)	12-4 AWG	
Terminal Torque	16 lb. in. (1.8 Nm)	
Screw Head Type	No. 2 Pozidrive	
Environmental Rating	NEMA Type 4X	
Enclosure Type Used	A3	



Features

- NEMA Type 4X
- IP66 Protection Level
- UV resistant
- Excellent in harsh weather conditions
- Resistant to many chemicals
- Lockable - Defeatable Handle

Colors

Black Handle (3 pole)
 Yellow/ Red Handle (3 pole)
 Black Handle (4 pole)
 Yellow/ Red Handle (4 pole)

Cat. No.

KEA360UL
 KEA360UL Y/R
 KEA460UL
 KEA460 UL Y/R

Enclosure Size

A3

Weight

2.0 kg (4.41 lb.)

Accessories

Auxiliary Contact

KU1.V, KU2.V



KEA380CUL & KEA380CUL Y/R

Specifications

No. of Poles	3 or 4	
General Purpose Current	80 A	
Maximum Voltage	600V AC	
Motor FLA @ 480V AC	40 A	
Motor FLA @ 600V AC	32 A	
Horsepower Rating /HP	1 Phase	3 Phase
110-120V AC	5	7.5
200V AC	7.5	10
208V AC	7.5	10
220-240V AC	10	15
265V AC	-	15
277V AC	-	15
380-415V AC	-	25
440-480V AC	-	30
550-600V AC	-	30
Short Circuit Withstand Rating at 600 V with Max.	10 kA	
Fuse Size/Class:		
K5	30 A	
RK5	30 A	
RK1	60 A	
J	100 A	
Terminal Size Acceptability (Cu Conductors only, 75°C)	12-4 AWG	
Terminal Torque	16 lb. in. (1.8 Nm)	
Screw Head Type	No. 2 Pozidrive	
Environmental Rating	NEMA Type 4X	
Enclosure Type Used	A3	



Features

- NEMA Type 4X
- IP66 Protection Level
- UV resistant
- Excellent in harsh weather conditions
- Resistant to many chemicals
- Lockable - Defeatable Handle

Colors

- Black Handle (3 pole)
- Yellow/ Red Handle (3 pole)
- Black Handle (4 pole)
- Yellow/ Red Handle (4 pole)

Cat. No.

- KEA80UL
- KEA380UL Y/R
- KEA480UL
- KEA480UL Y/R

Enclosure Size

A3

Weight

2.3 kg (5.07 lb.)

Accessories

Auxiliary Contact

KU1.V, KU2.V

KEA380UL & KEA380UL Y/R

Specifications

No. of Poles	3 or 4	
General Purpose Current	80 A	
Maximum Voltage	600V AC	
Motor FLA @ 480V AC	-	
Motor FLA @ 600V AC	47 A	
Horsepower Rating /HP	1 Phase	3 Phase
110-120V AC	3	7.5
200V AC	7.5	10
208V AC	7.5	15
220-240V AC	7.5	15
265V AC	10	20
277V AC	10	20
380-415V AC	15	25
440-480V AC	20	30
550-600V AC	25	40
Short Circuit Withstand Rating at 600 V with Max.	10 kA	
Fuse Size/Class:		
K5	150 A	
RK5	150 A	
RK1	-	
J	200 A	
Terminal Size Acceptability (Cu Conductors only, 75°C)	8-1/0 AWG	
Terminal Torque	50 lb. in. (5.6 Nm)	
Screw Head Type	5 mm Allen Key	
Environmental Rating	NEMA Type 4X	
Enclosure Type Used	A3	



Features

- NEMA Type 4X
- IP66 Protection Level
- UV resistant
- Excellent in harsh weather conditions
- Resistant to many chemicals
- Lockable - Defeatable Handle

Colors

- Black Handle (3 pole)
- Yellow/ Red Handle (3 pole)
- Black Handle (4 pole)
- Yellow/ Red Handle (4 pole)

Cat. No.

- KEA380UL
- KEA380UL Y/R
- KEA480UL
- KEA480UL Y/R

Enclosure Size

A3

Weight

2.3 kg (5.07 lb.)

Accessories

Auxiliary Contact

VKA1.V, VKA2.V

Aluminum Enclosed Motor Disconnect Switch

KEA3100UL & KEA3100UL Y/R

Specifications

No. of Poles	3 or 4	
General Purpose Current	100 A	
Maximum Voltage	600V AC	
Motor FLA @ 480V AC	-	
Motor FLA @ 600V AC	54 A	
Horsepower Rating /HP	1 Phase	3 Phase
110-120V AC	3	7.5
200V AC	7.5	15
208V AC	7.5	15
220-240V AC	10	20
265V AC	10	20
277V AC	10	20
380-415V AC	15	30
440-480V AC	20	40
550-600V AC	30	50
Short Circuit Withstand Rating at 600 V with Max.	10 kA	
Fuse Size/Class:		
K5	150 A	
RK5	150 A	
RK1	-	
J	200 A	
Terminal Size Acceptability (Cu Conductors only, 75°C)	8-1/0 AWG	
Terminal Torque	50 lb. in. (5.6 Nm)	
Screw Head Type	5 mm Allen Key	
Environmental Rating	NEMA Type 4X	
Enclosure Type Used	A3	



Features

- NEMA Type 4X
- IP66 Protection Level
- UV resistant
- Excellent in harsh weather conditions
- Resistant to many chemicals
- Lockable - Defeatable Handle

Colors

- Black Handle (3 pole)
- Yellow/ Red Handle (3 pole)
- Black Handle (4 pole)
- Yellow/ Red Handle (4 pole)

Cat. No.

- KEA3110UL
- KEA3110UL Y/R
- KEA4110UL
- KEA4110UL Y/R

Enclosure Size

A3

Weight

2.3 kg (5.07 lb.)

Accessories

Auxiliary Contact

VKA1.V, VKA2.V

KEA3125UL & KEA3125UL Y/R

Specifications

No. of Poles	3 or 4	
General Purpose Current	125 A	
Maximum Voltage	600V AC	
Motor FLA @ 480V AC	-	
Motor FLA @ 600V AC	68 A	
Horsepower Rating /HP	1 Phase	3 Phase
110-120V AC	5	10
200V AC	10	20
208V AC	10	20
220-240V AC	15	25
265V AC	15	25
277V AC	15	30
380-415V AC	20	40
440-480V AC	30	50
550-600V AC	30	60
Short Circuit Withstand Rating at 600 V with Max.	10 kA	
Fuse Size/Class:		
K5	150 A	
RK5	150 A	
RK1	-	
J	200 A	
Terminal Size Acceptability (Cu Conductors only, 75°C)	8-1/0 AWG	
Terminal Torque	50 lb. in. (5.6 Nm)	
Screw Head Type	5 mm Allen Key	
Environmental Rating	NEMA Type 4X	
Enclosure Type Used	A3	



Features

- NEMA Type 4X
- IP66 Protection Level
- UV resistant
- Excellent in harsh weather conditions
- Resistant to many chemicals
- Lockable - Defeatable Handle

Colors

- Black Handle (3 pole)
- Yellow/ Red Handle (3 pole)
- Black Handle (4 pole)
- Yellow/ Red Handle (4 pole)

Cat. No.

- KEA4125UL
- KEA4125UL Y/R
- KEA4125UL
- KEA 4125UL Y/R

Enclosure Size

A3

Weight

2.3 kg (5.07 lb.)

Accessories

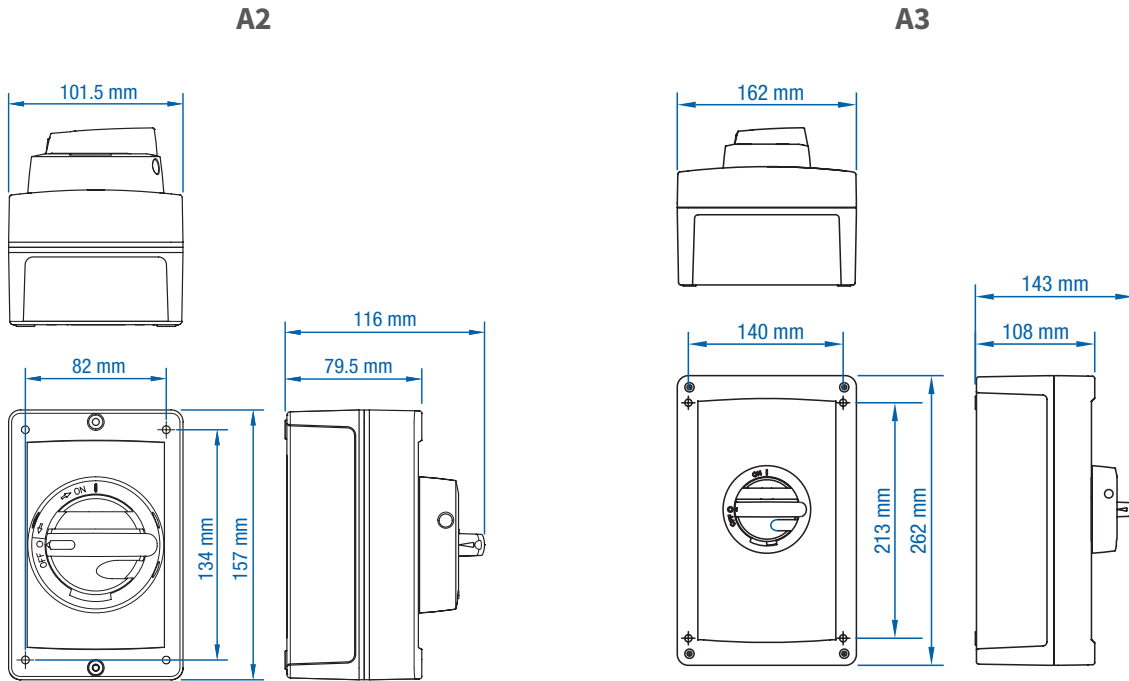
Auxiliary Contact

VKA1.V, VKA2.V



Dimensions

(to convert to inches multiply by 0.03937)



Enclosure Cover Screw Installation (Additional Information)

Enclosure	Screw Type	Torque
A2	Pz2	17.7 lb. in. (2 Nm)
A3	Pz2	17.7 lb. in. (2 Nm)

Sheet Metal Enclosed Motor Disconnect Switch

KET316UL & KET316UL Y/R

Specifications

No. of Poles	3 or 4	
General Purpose Current	16 A	
Maximum Voltage	600V AC	
Motor FLA @ 480V AC	14 A	
Motor FLA @ 600V AC	9A	
Horsepower Rating /HP	1 Phase	3 Phase
110-120V AC	1	2
200V AC	1.5	3
208V AC	1.5	3
220-240V AC	2	3
265V AC	-	5
277V AC	-	5
380-415V AC	-	7.5
440-480V AC	-	10
550-600V AC	-	7.5
Short Circuit Withstand Rating at 600 V with Max.	10 kA	
Fuse Size/Class:		
K5	30 A	
RK5	30 A	
RK1	60 A	
J	80 A	
Terminal Size Acceptability (Cu Conductors only, 75°C)	14-8 AWG	
Terminal Torque	16 lb. in. (1.8 Nm)	
Screw Head Type	No. 2 Pozidrive	
Environmental Rating	NEMA Type 4X	
Enclosure Type Used	TR007	



Features

- NEMA Type 4X
- IP66 Protection Level
- Corrosion and UV resistant
- Excellent in harsh weather conditions
- Resistant to many chemicals
- Lockable - Defeatable Handle

Colors

Black Handle (3 pole)
 Yellow/ Red Handle (3 pole)
 Black Handle (4 pole)
 Yellow/ Red Handle (4 pole)

Cat. No.

KET316UL
 KET16UL Y/R
 KET416UL
 KET416UL Y/R

Enclosure Size

TR007

Weight

2.1 kg (4.63 lb.)

Accessories

Auxiliary Contact

KU1.V, KU2.V

KET325UL & KET325UL Y/R

Specifications

No. of Poles	3 or 4	
General Purpose Current	25 A	
Maximum Voltage	600V AC	
Motor FLA @ 480V AC	21 A	
Motor FLA @ 600V AC	11 A	
Horsepower Rating /HP	1 Phase	3 Phase
110-120V AC	1.5	4
200V AC	2	5
208V AC	2	5
220-240V AC	3	5
265V AC	-	7.5
277V AC	-	7.5
380-415V AC	-	10
440-480V AC	-	15
550-600V AC	-	10
Short Circuit Withstand Rating at 600 V with Max.	10 kA	
Fuse Size/Class:		
K5	30 A	
RK5	30 A	
RK1	60 A	
J	80 A	
Terminal Size Acceptability (Cu Conductors only, 75°C)	14-8 AWG	
Terminal Torque	16 lb. in. (1.8 Nm)	
Screw Head Type	No. 2 Pozidrive	
Environmental Rating	NEMA Type 4X	
Enclosure Type Used	TR007	



Features

- NEMA Type 4X
- IP66 Protection Level
- Corrosion and UV resistant
- Excellent in harsh weather conditions
- Resistant to many chemicals
- Lockable - Defeatable Handle

Colors

Black Handle (3 pole)
 Yellow/ Red Handle (3 pole)
 Black Handle (4 pole)
 Yellow/ Red Handle (4 pole)

Cat. No.

KET325UL
 KET325UL Y/R
 KET425UL
 KET425UL Y/R

Enclosure Size

TR007

Weight

2.1 kg (4.63 lb.)

Accessories

Auxiliary Contact

KU1.V, KU2.V



KET340UL & KET340UL Y/R

Specifications

No. of Poles	3 or 4	
General Purpose Current	40 A	
Maximum Voltage	600V AC	
Motor FLA @ 480V AC	27 A	
Motor FLA @ 600V AC	17 A	
Horsepower Rating /HP	1 Phase	3 Phase
110-120V AC	2	3
200V AC	3	7.5
208V AC	3	7.5
220-240V AC	5	7.5
265V AC	-	10
277V AC	-	10
380-415V AC	-	15
440-480V AC	-	20
550-600V AC	-	15
Short Circuit Withstand Rating at 600 V with Max.	10 kA	
Fuse Size/Class:		
K5	30 A	
RK5	30 A	
RK1	60 A	
J	80 A	
Terminal Size Acceptability (Cu Conductors only, 75°C)	14-8 AWG	
Terminal Torque	16 lb. in. (1.8 Nm)	
Screw Head Type	No. 2 Pozidrive	
Environmental Rating	NEMA Type 4X	
Enclosure Type Used	TR007	



Features

- NEMA Type 4X
- IP66 Protection Level
- Corrosion and UV resistant
- Excellent in harsh weather conditions
- Resistant to many chemicals
- Lockable - Defeatable Handle

Colors

- Black Handle (3 pole)
- Yellow/ Red Handle (3 pole)
- Black Handle (4 pole)
- Yellow/ Red Handle (4 pole)

Cat. No.

- KET406UL
- KET340UL Y/R
- KET406UL
- KET440UL Y/R

Enclosure Size

TR007

Weight

2.1 kg (4.63 lb.)

Accessories

Auxiliary Contact

KU1.V, KU2.V

KET360UL & KET360UL Y/R

Specifications

No. of Poles	3 or 4	
General Purpose Current	60 A	
Maximum Voltage	600V AC	
Motor FLA @ 480V AC	34 A	
Motor FLA @ 600V AC	27 A	
Horsepower Rating /HP	1 Phase	3 Phase
110-120V AC	3	5
200V AC	5	10
208V AC	5	10
220-240V AC	7.5	10
265V AC	-	10
277V AC	-	10
380-415V AC	-	20
440-480V AC	-	25
550-600V AC	-	25
Short Circuit Withstand Rating at 600 V with Max.	10 kA	
Fuse Size/Class:		
K5	30 A	
RK5	30 A	
RK1	60 A	
J	100 A	
Terminal Size Acceptability (Cu Conductors only, 75°C)	12-4 AWG	
Terminal Torque	16 lb. in. (1.8 Nm)	
Screw Head Type	No. 2 Pozidrive	
Environmental Rating	NEMA Type 4X	
Enclosure Type Used	TR01	



Features

- NEMA Type 4X
- IP66 Protection Level
- Corrosion and UV resistant
- Excellent in harsh weather conditions
- Resistant to many chemicals
- Lockable - Defeatable Handle

Colors

- Black Handle (3 pole)
- Yellow/ Red Handle (3 pole)
- Black Handle (4 pole)
- Yellow/ Red Handle (4 pole)

Cat. No.

- KEM360UL
- KEM360UL Y/R
- KEM460UL
- KEM460UL Y/R

Enclosure Size

TR01

Weight

4.0 kg (8.82 lb.)

Accessories

Auxiliary Contact

KU1.V, KU2.V

Sheet Metal Enclosed Motor Disconnect Switch

KET380CUL & KET380CUL Y/R

Specifications

No. of Poles	3 or 4	
General Purpose Current	80 A	
Maximum Voltage	600V AC	
Motor FLA @ 480V AC	40 A	
Motor FLA @ 600V AC	32 A	
Horsepower Rating /HP	1 Phase	3 Phase
110-120V AC	5	7.5
200V AC	7.5	10
208V AC	7.5	10
220-240V AC	10	15
265V AC	-	15
277V AC	-	15
380-415V AC	-	25
440-480V AC	-	30
550-600V AC	-	30
Short Circuit Withstand Rating at 600 V with Max.	10 kA	
Fuse Size/Class:		
K5	30 A	
RK5	30 A	
RK1	60 A	
J	100 A	
Terminal Size Acceptability (Cu Conductors only, 75°C)	12-4 AWG	
Terminal Torque	16 lb. in. (1.8 Nm)	
Screw Head Type	No. 2 Pozidrive	
Environmental Rating	NEMA Type 4X	
Enclosure Type Used	TR01	



Features

- NEMA Type 4X
- IP66 Protection Level
- Corrosion and UV resistant
- Excellent in harsh weather conditions
- Resistant to many chemicals
- Lockable - Defeatable Handle

Colors

- Black Handle (3 pole)
- Yellow/ Red Handle (3 pole)
- Black Handle (4 pole)
- Yellow/ Red Handle (4 pole)

Cat. No.

- KET380CUL
- KET380CUL Y/R
- KET480CUL
- KET480CUL Y/R

Enclosure Size

TR01

Weight

4.3 kg (9.48 lb.)

Accessories

Auxiliary Contact

VKA1.V, VKA2.V

KET380UL & KET380UL Y/R

Specifications

No. of Poles	3 or 4	
General Purpose Current	80 A	
Maximum Voltage	600V AC	
Motor FLA @ 480V AC	-	
Motor FLA @ 600V AC	47 A	
Horsepower Rating /HP	1 Phase	3 Phase
110-120V AC	3	7.5
200V AC	7.5	10
208V AC	7.5	15
220-240V AC	7.5	15
265V AC	10	20
277V AC	10	20
380-415V AC	15	25
440-480V AC	20	30
550-600V AC	25	40
Short Circuit Withstand Rating at 600 V with Max.	10 kA	
Fuse Size/Class:		
K5	150 A	
RK5	150 A	
RK1	-	
J	200 A	
Terminal Size Acceptability (Cu Conductors only, 75°C)	8-1/0 AWG	
Terminal Torque	50 lb. in. (5.6 Nm)	
Screw Head Type	5 mm Allen Key	
Environmental Rating	NEMA Type 4X	
Enclosure Type Used	TR01	



Features

- NEMA Type 4X
- IP66 Protection Level
- Corrosion and UV resistant
- Excellent in harsh weather conditions
- Resistant to many chemicals
- Lockable - Defeatable Handle

Colors

- Black Handle (3 pole)
- Yellow/ Red Handle (3 pole)
- Black Handle (4 pole)
- Yellow/ Red Handle (4 pole)

Cat. No.

- KEM360UL
- KEM360UL Y/R
- KEM460UL
- KEM460 UL Y/R

Enclosure Size

TR01

Weight

4.3 kg (9.48 lb.)

Accessories

Auxiliary Contact

VKA1.V, VKA2.V



KET3100UL & KET3100UL Y/R

Specifications

No. of Poles	3 or 4	
General Purpose Current	100 A	
Maximum Voltage	600V AC	
Motor FLA @ 480V AC	-	
Motor FLA @ 600V AC	54 A	
Horsepower Rating /HP	1 Phase	3 Phase
110-120V AC	3	7.5
200V AC	7.5	15
208V AC	7.5	15
220-240V AC	10	20
265V AC	10	20
277V AC	10	20
380-415V AC	15	30
440-480V AC	20	40
550-600V AC	30	50
Short Circuit Withstand Rating at 600 V with Max.	10 kA	
Fuse Size/Class:		
K5	150 A	
RK5	150 A	
RK1	-	
J	200 A	
Terminal Size Acceptability (Cu Conductors only, 75°C)	8-1/0 AWG	
Terminal Torque	50 lb. in. (5.6 Nm)	
Screw Head Type	5 mm Allen Key	
Environmental Rating	NEMA Type 4X	
Enclosure Type Used	TR01	



Features

- Can be used locally at the motor
- UV resistant
- NEMA Type 4X
- Resistant to many chemicals
- IEC IP65 Protection Level
- Lockable - Defeatable Handle

Colors

- Black Handle (3 pole)
- Yellow/ Red Handle (3 pole)
- Black Handle (4 pole)
- Yellow/ Red Handle (4 pole)

Cat. No.

- KET3100UL
- KET4100UL Y/R
- KET3100UL
- KET4100UL Y/R

Enclosure Size

TR01

Weight

4.3 kg (9.48 lb.)

Accessories

Auxiliary Contact

VKA1.V, VKA2.V

KET3125UL & KET3125UL Y/R

Specifications

No. of Poles	3 or 4	
General Purpose Current	125 A	
Maximum Voltage	600V AC	
Motor FLA @ 480V AC	-	
Motor FLA @ 600V AC	68 A	
Horsepower Rating /HP	1 Phase	3 Phase
110-120V AC	5	10
200V AC	10	20
208V AC	10	20
220-240V AC	15	25
265V AC	15	25
277V AC	15	30
380-415V AC	20	40
440-480V AC	30	50
550-600V AC	30	60
Short Circuit Withstand Rating at 600 V with Max.	10 kA	
Fuse Size/Class:		
K5	150 A	
RK5	150 A	
RK1	-	
J	200 A	
Terminal Size Acceptability (Cu Conductors only, 75°C)	8-1/0 AWG	
Terminal Torque	50 lb. in. (5.6 Nm)	
Screw Head Type	5 mm Allen Key	
Environmental Rating	NEMA Type 4X	
Enclosure Type Used	TR01	



Features

- Can be used locally at the motor
- UV resistant
- NEMA Type 4X
- Resistant to many chemicals
- IEC IP65 Protection Level
- Lockable - Defeatable Handle

Colors

- Black Handle (3 pole)
- Yellow/ Red Handle (3 pole)
- Black Handle (4 pole)
- Yellow/ Red Handle (4 pole)

Cat. No.

- KET3125UL
- KET4125UL Y/R
- KET3125UL
- KET4125UL Y/R

Enclosure Size

TR01

Weight

4.3 kg (9.48 lb.)

Accessories

Auxiliary Contact

VKA1.V, VKA2.V

Sheet Metal Enclosed Motor Disconnect Switch

KET3150UL & KET3150UL Y/R

Specifications

No. of Poles	3 or 4	
General Purpose Current	150 A	
Maximum Voltage	600V AC	
Motor FLA @ 480V AC	-	
Motor FLA @ 600V AC	83 A	
Horsepower Rating /HP	1 Phase	3 Phase
110-120V AC	7.5	10
200V AC	10	25
208V AC	10	25
220-240V AC	15	30
265V AC	20	30
277V AC	20	30
380-415V AC	25	50
440-480V AC	30	60
550-600V AC	40	75
Short Circuit Withstand Rating at 600 V with Max. Fuse Size/Class:	10 kA	
K5	150 A	
RK5	150 A	
RK1	-	
J	200 A	
Terminal Size Acceptability (Cu Conductors only, 75°C)	8-1/0 AWG	
Terminal Torque	50 lb. in. (5.6 Nm)	
Screw Head Type	5 mm Allen Key	
Environmental Rating	NEMA Type 4X	
Enclosure Type Used	TR02	



Features

- Can be used locally at the motor
- NEMA Type 4X
- IEC IP65 Protection Level
- UV resistant
- Resistant to many chemicals
- Lockable - Defeatable Handle

Colors

Black Handle (3 pole)
 Yellow/ Red Handle (3 pole)
 Black Handle (4 pole)
 Yellow/ Red Handle (4 pole)

Cat. No.

KET3150UL
 KET4150UL Y/R
 KET3150UL
 KET4150UL Y/R

Enclosure Size

TR02

Weight

9.7 kg (21.39 lb.)

Accessories

Auxiliary Contact

VKA1.V, VKA2.V

1

2

3

4

5

6

KET360UL98 & KET360UL98 Y/R

Specifications

No. of Poles	3	
General Purpose Current	60 A	
Maximum Voltage	600V AC	

Horsepower Rating /HP	1 Phase	3 Phase
120V AC	3	-
240V AC	7.5	20
480V AC	-	40
6000V AC	-	60

Short Circuit Withstand Rating at 600 V 50 kA/60 A Class J

Terminal Size Acceptability (Cu Conductors only, 75°C) 8-1/0 AWG



Features

- Can be used locally at the motor
- NEMA Type 4X
- IEC IP65 Protection Level
- Resistant to many chemicals
- Excellent in harsh weather conditions
- Corrosion and UV resistant
- Lockable - Defeatable Handle

Colors

Black Handle (3 pole)
Yellow/ Red Handle (3 pole)

Cat. No.

KET360UL98
KET360UL98 Y/R

Enclosure Size

TR01

Weight

4.3 kg (9.48 lb.)

Accessories

Auxiliary Switches	Cat. No.	1.V160KU	2.V160KU
	No. of Contacts	1n.o./1n.c	2n.o./2n.c.
	Electrical Rating	16 A/1/2HP/125-250V AC	

KET460UL98 & KET460UL98 Y/R

Specifications

No. of Poles	4	
General Purpose Current	60 A	
Maximum Voltage	600V AC	

Horsepower Rating /HP	1 Phase	3 Phase
120V AC	3	-
240V AC	7.5	20
480V AC	-	40
6000V AC	-	60

Short Circuit Withstand Rating at 600 V 50 kA/60 A Class J

Terminal Size Acceptability (Cu Conductors only, 75°C) 8-1/0 AWG



Features

- Can be used locally at the motor
- NEMA Type 4X
- IEC IP65 Protection Level
- Resistant to many chemicals
- Excellent in harsh weather conditions
- Corrosion and UV resistant
- Lockable - Defeatable Handle

Colors

Black Handle (3 pole)
Yellow/ Red Handle (3 pole)

Cat. No.

KET460UL98
KET460UL98 Y/R

Enclosure Size

TR01

Weight

4.4 kg (9.70 lb.)

Accessories

Auxiliary Switches	Cat. No.	1.V160KU	2.V160KU
	No. of Contacts	1n.o./1n.c	2n.o./2n.c.
	Electrical Rating	16 A/1/2HP/125-250V AC	

UL98 Sheet Metal Enclosed Motor Disconnect Switch

KET3100UL98 & KET3100UL98 Y/R

Specifications

No. of Poles	3	
General Purpose Current	100 A	
Maximum Voltage	600V AC	
Horsepower Rating /HP	1 Phase	3 Phase
120V AC	5	-
240V AC	10	25
480V AC	-	50
6000V AC	-	75
Short Circuit Withstand Rating at 600 V	50 kA/60 A Class J	
Terminal Size Acceptability (Cu Conductors only, 75°C)	8-1/0 AWG	



Features

- Can be used locally at the motor
- NEMA Type 4X
- IEC IP65 Protection Level
- Resistant to many chemicals
- Excellent in harsh weather conditions
- Corrosion and UV resistant
- Lockable - Defeatable Handle

Colors

Black Handle (3 pole)
Yellow/ Red Handle (3 pole)

Cat. No.

KET3100UUL98
KET3100UUL98 Y/R

Enclosure Size

TR02

Weight

9.7 kg (21.38 lb.)

Accessories

Auxiliary Switches	Cat. No.	1.V160KU	2.V160KU
	No. of Contacts	1n.o./1n.c	2n.o./2n.c.
	Electrical Rating	16 A/1/2HP/125-250V AC	

KET4100UL98 & KET4100UL98 Y/R

Specifications

No. of Poles	4	
General Purpose Current	100 A	
Maximum Voltage	600V AC	
Horsepower Rating /HP	1 Phase	3 Phase
120V AC	5	-
240V AC	10	25
480V AC	-	50
6000V AC	-	75
Short Circuit Withstand Rating at 600 V	50 kA/60 A Class J	
Terminal Size Acceptability (Cu Conductors only, 75°C)	8-1/0 AWG	



Features

- Can be used locally at the motor
- NEMA Type 4X
- IEC IP65 Protection Level
- Resistant to many chemicals
- Excellent in harsh weather conditions
- Corrosion and UV resistant
- Lockable - Defeatable Handle

Colors

Black Handle (3 pole)
Yellow/ Red Handle (3 pole)

Cat. No.

KET4100UUL98
KET4100UUL98 Y/R

Enclosure Size

TR02

Weight

9.8 kg (21.61 lb.)

Accessories

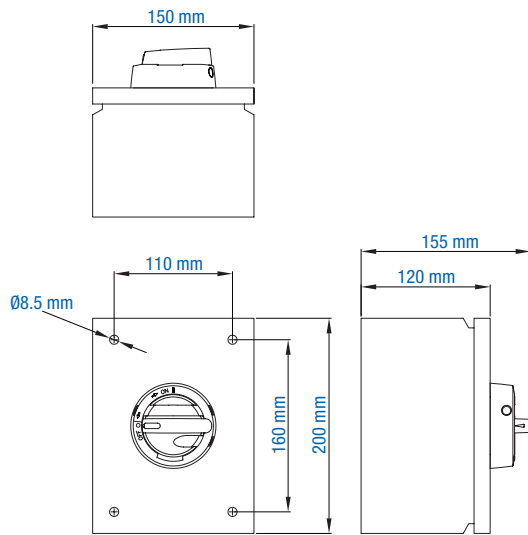
Auxiliary Switches	Cat. No.	1.V160KU	2.V160KU
	No. of Contacts	1n.o./1n.c	2n.o./2n.c.
	Electrical Rating	16 A/1/2HP/125-250V AC	



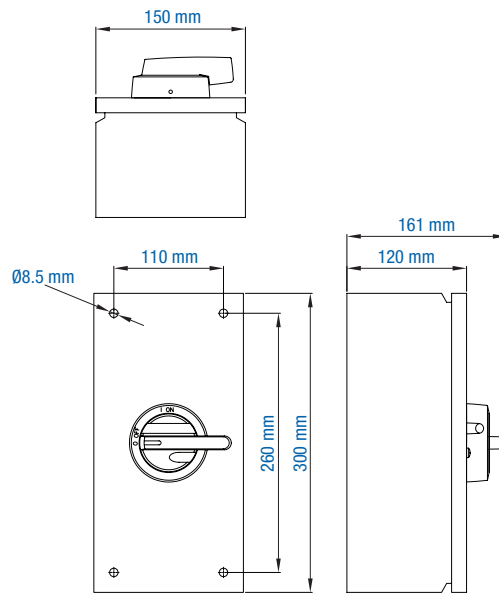
Dimensions

(to convert to inches multiply by 0.03937)

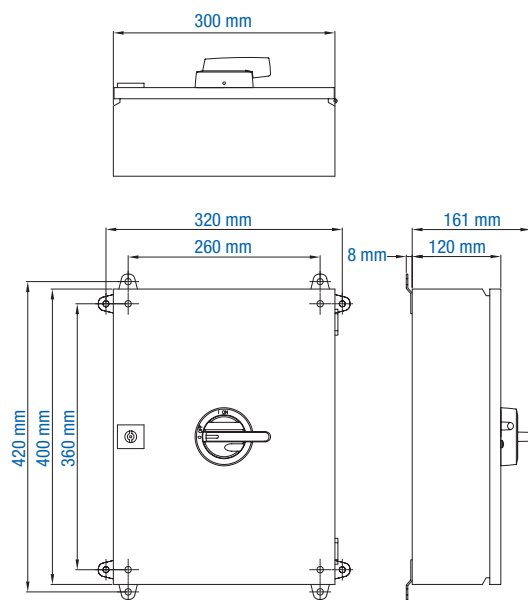
TR07



TR01



TR02



Enclosure Cover Screw Installation (Additional Information)

Enclosure	Screw Type	Torque
TR07	PH2	10.6 lb. in. (1.2 Nm)
TR01	PH2	10.6 lb. in. (1.2 Nm)
TR02	⊗	Key lock

Stainless Steel Enclosed Motor Disconnect Switch

KER316UL & KER316UL Y/R

Specifications

No. of Poles	3 or 4	
General Purpose Current	16 A	
Maximum Voltage	600V AC	
Motor FLA @ 480V AC	14 A	
Motor FLA @ 600V AC	9A	
Horsepower Rating /HP	1 Phase	3 Phase
110-120V AC	1	2
200V AC	1.5	3
208V AC	1.5	3
220-240V AC	2	3
265V AC	-	5
277V AC	-	5
380-415V AC	-	7.5
440-480V AC	-	10
550-600V AC	-	7.5
Short Circuit Withstand Rating at 600 V with Max.	10 kA	
Fuse Size/Class:		
K5	30 A	
RK5	30 A	
RK1	60 A	
J	80 A	
Terminal Size Acceptability (Cu Conductors only, 75°C)	14-8 AWG	
Terminal Torque	16 lb. in. (1.8 Nm)	
Screw Head Type	No. 2 Pozidrive	
Environmental Rating	NEMA Type 4X	
Enclosure Type Used	H23	



Features

- Can be used locally at the motor
- NEMA Type 4X
- IEC IP65 Protection Level
- UV resistant
- Resistant to many chemicals
- Lockable - Defeatable Handle

Colors

Black Handle (3 pole)
Yellow/ Red Handle (3 pole)
Black Handle (4 pole)
Yellow/ Red Handle (4 pole)

Cat. No.

KER316UL
KER316UL Y/R
KER416UL
KER416UL Y/R

Enclosure Size

H23

Weight

1.35 kg (2.98 lb.)

Accessories

Auxiliary Contact

KU1.V, KU2.V

KER325UL & KER325UL Y/R

Specifications

No. of Poles	3 or 4	
General Purpose Current	25 A	
Maximum Voltage	600V AC	
Motor FLA @ 480V AC	21 A	
Motor FLA @ 600V AC	11 A	
Horsepower Rating /HP	1 Phase	3 Phase
110-120V AC	1.5	3
200V AC	2	5
208V AC	2	5
220-240V AC	3	5
265V AC	-	7.5
277V AC	-	7.5
380-415V AC	-	10
440-480V AC	-	15
550-600V AC	-	10
Short Circuit Withstand Rating at 600 V with Max.	10 kA	
Fuse Size/Class:		
K5	30 A	
RK5	30 A	
RK1	60 A	
J	80 A	
Terminal Size Acceptability (Cu Conductors only, 75°C)	14-8 AWG	
Terminal Torque	16 lb. in. (1.8 Nm)	
Screw Head Type	No. 2 Pozidrive	
Environmental Rating	NEMA Type 4X	
Enclosure Type Used	H23	



Features

- Can be used locally at the motor
- NEMA Type 4X
- IEC IP65 Protection Level
- UV resistant
- Resistant to many chemicals
- Lockable - Defeatable Handle

Colors

Black Handle (3 pole)
Yellow/ Red Handle (3 pole)
Black Handle (4 pole)
Yellow/ Red Handle (4 pole)

Cat. No.

KER325UL
KER325UL Y/R
KER425UL
KER425UL Y/R

Enclosure Size

H23

Weight

1.35 kg (2.98 lb.)

Accessories

Auxiliary Contact

KU1.V, KU2.V



KER340UL & KER340UL Y/R

Specifications

No. of Poles	3 or 4	
General Purpose Current	40 A	
Maximum Voltage	600V AC	
Motor FLA @ 480V AC	27 A	
Motor FLA @ 600V AC	17 A	
Horsepower Rating /HP	1 Phase	3 Phase
110-120V AC	2	3
200V AC	3	7.5
208V AC	3	7.5
220-240V AC	5	7.5
265V AC	-	10
277V AC	-	10
380-415V AC	-	15
440-480V AC	-	20
550-600V AC	-	15
Short Circuit Withstand Rating at 600 V with Max.	10 kA	
Fuse Size/Class:		
K5	30 A	
RK5	30 A	
RK1	60 A	
J	80 A	
Terminal Size Acceptability (Cu Conductors only, 75°C)	14-8 AWG	
Terminal Torque	16 lb. in. (1.8 Nm)	
Screw Head Type	No. 2 Pozidrive	
Environmental Rating	NEMA Type 4X	
Enclosure Type Used	H23	



Features

- Can be used locally at the motor
- NEMA Type 4X
- IEC IP65 Protection Level
- UV resistant
- Resistant to many chemicals
- Lockable - Defeatable Handle

Colors

- Black Handle (3 pole)
- Yellow/ Red Handle (3 pole)
- Black Handle (4 pole)
- Yellow/ Red Handle (4 pole)

Cat. No.

- KER340UL
- KER340UL Y/R
- KER440UL
- KER440UL Y/R

Enclosure Size

H23

Weight

1.35 kg (2.98 lb.)

Accessories

Auxiliary Contact

KU1.V, KU2.V

KER360UL & KER360UL Y/R

Specifications

No. of Poles	3 or 4	
General Purpose Current	60 A	
Maximum Voltage	600V AC	
Motor FLA @ 480V AC	34 A	
Motor FLA @ 600V AC	27 A	
Horsepower Rating /HP	1 Phase	3 Phase
110-120V AC	3	5
200V AC	5	10
208V AC	5	10
220-240V AC	7.5	10
265V AC	-	10
277V AC	-	10
380-415V AC	-	20
440-480V AC	-	25
550-600V AC	-	25
Short Circuit Withstand Rating at 600 V with Max.	10 kA	
Fuse Size/Class:		
K5	30 A	
RK5	30 A	
RK1	60 A	
J	100 A	
Terminal Size Acceptability (Cu Conductors only, 75°C)	12-4 AWG	
Terminal Torque	16 lb. in. (1.8 Nm)	
Screw Head Type	No. 2 Pozidrive	
Environmental Rating	NEMA Type 4X	
Enclosure Type Used	H32	



Features

- Can be used locally at the motor
- NEMA Type 4X
- IEC IP65 Protection Level
- UV resistant
- Resistant to many chemicals
- Lockable - Defeatable Handle

Colors

- Black Handle (3 pole)
- Yellow/ Red Handle (3 pole)
- Black Handle (4 pole)
- Yellow/ Red Handle (4 pole)

Cat. No.

- KER60UL
- KER360UL Y/R
- KER460UL
- KER460UL Y/R

Enclosure Size

H32

Weight

1.35 kg (2.98 lb.)

Accessories

Auxiliary Contact

KU1.V, KU2.V

Stainless Steel Enclosed Motor Disconnect Switch

KER380CUL & KER380CUL Y/R

Specifications

No. of Poles	3 or 4	
General Purpose Current	80 A	
Maximum Voltage	600V AC	
Motor FLA @ 480V AC	40 A	
Motor FLA @ 600V AC	32 A	
Horsepower Rating /HP	1 Phase	3 Phase
110-120V AC	5	7.5
200V AC	7.5	10
208V AC	7.5	10
220-240V AC	10	15
265V AC	-	15
277V AC	-	15
380-415V AC	-	25
440-480V AC	-	30
550-600V AC	-	30
Short Circuit Withstand Rating at 600 V with Max.	10 kA	
Fuse Size/Class:		
K5	30 A	
RK5	30 A	
RK1	60 A	
J	100 A	
Terminal Size Acceptability (Cu Conductors only, 75°C)	12-4 AWG	
Terminal Torque	16 lb. in. (1.8 Nm)	
Screw Head Type	No. 2 Pozidrive	
Environmental Rating	NEMA Type 4X	
Enclosure Type Used	H32	



Features

- Can be used locally at the motor
- NEMA Type 4X
- IEC IP65 Protection Level
- UV resistant
- Resistant to many chemicals
- Lockable - Defeatable Handle

Colors

Black Handle (3 pole)
Yellow/ Red Handle (3 pole)
Black Handle (4 pole)
Yellow/ Red Handle (4 pole)

Cat. No.

KER380UL
KER380UL Y/R
KER480UL
KER480UL Y/R

Enclosure Size

H32

Weight

2.66 kg (5.87 lb.)

Accessories

Auxiliary Contact

KU1.V, KU2.V

KER380UL & KER380UL Y/R

Specifications

No. of Poles	3 or 4	
General Purpose Current	80 A	
Maximum Voltage	600V AC	
Motor FLA @ 480V AC	-	
Motor FLA @ 600V AC	47 A	
Horsepower Rating /HP	1 Phase	3 Phase
110-120V AC	3	7.5
200V AC	7.5	10
208V AC	7.5	15
220-240V AC	7.5	15
265V AC	10	20
277V AC	10	20
380-415V AC	15	25
440-480V AC	20	30
550-600V AC	25	40
Short Circuit Withstand Rating at 600 V with Max.	10 kA	
Fuse Size/Class:		
K5	150 A	
RK5	150 A	
RK1	-	
J	200 A	
Terminal Size Acceptability (Cu Conductors only, 75°C)	8-1/0 AWG	
Terminal Torque	50 lb. in. (5.6 Nm)	
Screw Head Type	5 mm Allen Key	
Environmental Rating	NEMA Type 4X	
Enclosure Type Used	H32	



Features

- Can be used locally at the motor
- NEMA Type 4X
- IEC IP65 Protection Level
- UV resistant
- Resistant to many chemicals
- Lockable - Defeatable Handle

Colors

Black Handle (3 pole)
Yellow/ Red Handle (3 pole)
Black Handle (4 pole)
Yellow/ Red Handle (4 pole)

Cat. No.

KER380UL
KER380UL Y/R
KER480UL
KER480UL Y/R

Enclosure Size

H32

Weight

2.66 kg (5.87 lb.)

Accessories

Auxiliary Contact

VKA1.V, VKA2.V



KER3100UL & KER3100UL Y/R

Specifications

No. of Poles	3 or 4	
General Purpose Current	100 A	
Maximum Voltage	600V AC	
Motor FLA @ 480V AC	-	
Motor FLA @ 600V AC	54 A	
Horsepower Rating /HP	1 Phase	3 Phase
110-120V AC	3	7.5
200V AC	7.5	15
208V AC	7.5	15
220-240V AC	10	20
265V AC	10	20
277V AC	10	20
380-415V AC	15	30
440-480V AC	20	40
550-600V AC	30	50
Short Circuit Withstand Rating at 600 V with Max.	10 kA	
Fuse Size/Class:		
K5	150 A	
RK5	150 A	
RK1	-	
J	200 A	
Terminal Size Acceptability (Cu Conductors only, 75°C)	8-1/0 AWG	
Terminal Torque	50 lb. in. (5.6 Nm)	
Screw Head Type	5 mm Allen Key	
Environmental Rating	NEMA Type 4X	
Enclosure Type Used	H32	



Features

- Can be used locally at the motor
- NEMA Type 4X
- IEC IP65 Protection Level
- UV resistant
- Resistant to many chemicals
- Lockable - Defeatable Handle

Colors

- Black Handle (3 pole)
- Yellow/ Red Handle (3 pole)
- Black Handle (4 pole)
- Yellow/ Red Handle (4 pole)

Cat. No.

- KER3100UL
- KER3100UL Y/R
- KER4100UL
- KER4100UL Y/R

Enclosure Size

H32

Weight

2.66 kg (5.87 lb.)

Accessories

Auxiliary Contact

VKA1.V, VKA2.V

KER3125UL & KER3125UL Y/R

Specifications

No. of Poles	3 or 4	
General Purpose Current	125 A	
Maximum Voltage	600V AC	
Motor FLA @ 480V AC	-	
Motor FLA @ 600V AC	68 A	
Horsepower Rating /HP	1 Phase	3 Phase
110-120V AC	5	10
200V AC	10	20
208V AC	10	20
220-240V AC	15	25
265V AC	15	25
277V AC	15	30
380-415V AC	20	40
440-480V AC	30	50
550-600V AC	30	60
Short Circuit Withstand Rating at 600 V with Max.	10 kA	
Fuse Size/Class:		
K5	150 A	
RK5	150 A	
RK1	-	
J	200 A	
Terminal Size Acceptability (Cu Conductors only, 75°C)	8-1/0 AWG	
Terminal Torque	50 lb. in. (5.6 Nm)	
Screw Head Type	5 mm Allen Key	
Environmental Rating	NEMA Type 4X	
Enclosure Type Used	H32	



Features

- Can be used locally at the motor
- NEMA Type 4X
- IEC IP65 Protection Level
- UV resistant
- Resistant to many chemicals
- Lockable - Defeatable Handle

Colors

- Black Handle (3 pole)
- Yellow/ Red Handle (3 pole)
- Black Handle (4 pole)
- Yellow/ Red Handle (4 pole)

Cat. No.

- KER3125UL
- KER3125UL Y/R
- KER4125UL
- KER4125UL Y/R

Enclosure Size

H32

Weight

2.66 kg (5.87 lb.)

Accessories

Auxiliary Contact

VKA1.V, VKA2.V

UL98 Stainless Steel Enclosed Motor Disconnect Switch

KER360UL98 & KER360UL98 Y/R Y/R

Specifications

No. of Poles	3	
General Purpose Current	60 A	
Maximum Voltage	600V AC	
Horsepower Rating /HP	1 Phase	3 Phase
120V AC	3	-
240V AC	7.5	20
480V AC	-	40
6000V AC	-	60
Short Circuit Withstand Rating at 600 V	50 kA/60 A Class J	
Terminal Size Acceptability (Cu Conductors only, 75°C)	8-1/0 AWG	



Features

- Can be used locally at the motor
- NEMA Type 4X
- IEC IP65 Protection Level
- Corrosion resistant
- Mining is another application
- Ideal where chemicals are used for cleaning and maintenance such as food processing and breweries
- Stainless Steel (Grade AISI 316)
- Lockable - Defeatable Handle

Colors

Black Handle (3 pole)
Yellow/ Red Handle (3 pole)

Cat. No.

KER360UL98
KER360UL98 Y/R

Enclosure Size

H01

Weight

3.3 kg (7.28 lb.)

Accessories

Auxiliary Switches	Cat. No.	1.V160KU	2.V160KU
	No. of Contacts	1n.o./1n.c	2n.o./2n.c.
	Electrical Rating	16 A/1/2HP/125-250V AC	

KER460UL98 & KER460UL98 Y/R

Specifications

No. of Poles	4	
General Purpose Current	60 A	
Maximum Voltage	600V AC	
Horsepower Rating /HP	1 Phase	3 Phase
120V AC	3	-
240V AC	7.5	20
480V AC	-	40
6000V AC	-	60
Short Circuit Withstand Rating at 600 V	50 kA/60 A Class J	
Terminal Size Acceptability (Cu Conductors only, 75°C)	8-1/0 AWG	



Features

- Can be used locally at the motor
- NEMA Type 4X
- IEC IP65 Protection Level
- Corrosion resistant
- Mining is another application
- Ideal where chemicals are used for cleaning and maintenance such as food processing and breweries
- Stainless Steel (Grade AISI 316)
- Lockable - Defeatable Handle

Colors

Black Handle (3 pole)
Yellow/ Red Handle (3 pole)

Cat. No.

KER360UL98
KER360UL98 Y/R

Enclosure Size

H01

Weight

3.4 kg (7.50 lb.)

Accessories

Auxiliary Switches	Cat. No.	1.V160KU	2.V160KU
	No. of Contacts	1n.o./1n.c	2n.o./2n.c.
	Electrical Rating	16 A/1/2HP/125-250V AC	



KER3100UL98 & KER3100UL98 Y/R

Specifications

No. of Poles	3	
General Purpose Current	100 A	
Maximum Voltage	600V AC	
Horsepower Rating /HP	1 Phase	3 Phase
120V AC	5	-
240V AC	10	25
480V AC	-	50
6000V AC	-	75
Short Circuit Withstand Rating at 600 V	50 kA/60 A Class J	
Terminal Size Acceptability (Cu Conductors only, 75°C)	8-1/0 AWG	



Features

- Can be used locally at the motor
- NEMA Type 4X
- IEC IP65 Protection Level
- Resistant to many chemicals
- Excellent in harsh weather conditions
- Corrosion and UV resistant
- Lockable - Defeatable Handle

Colors

- Black Handle (3 pole)
- Yellow/ Red Handle (3 pole)

Cat. No.

- KER3100UUL98
- KER3100UUL98 Y/R

Enclosure Size

H02

Weight

6.9 kg (15.21 lb.)

Accessories

Auxiliary Switches	Cat. No.	1.V160KU	2.V160KU
	No. of Contacts	1n.o./1n.c	2n.o./2n.c.
	Electrical Rating	16 A/1/2HP/125-250V AC	

KER4100UL98 & KER4100UL98 Y/R

Specifications

No. of Poles	4	
General Purpose Current	100 A	
Maximum Voltage	600V AC	
Horsepower Rating /HP	1 Phase	3 Phase
120V AC	5	-
240V AC	10	25
480V AC	-	50
6000V AC	-	75
Short Circuit Withstand Rating at 600 V	50 kA/60 A Class J	
Terminal Size Acceptability (Cu Conductors only, 75°C)	8-1/0 AWG	



Features

- Can be used locally at the motor
- NEMA Type 4X
- IEC IP65 Protection Level
- Resistant to many chemicals
- Excellent in harsh weather conditions
- Corrosion and UV resistant
- Lockable - Defeatable Handle

Colors

- Black Handle (3 pole)
- Yellow/ Red Handle (3 pole)

Cat. No.

- KER4100UUL98
- KER4100UUL98 Y/R

Enclosure Size

H02

Weight

7.0 kg (15.43 lb.)

Accessories

Auxiliary Switches	Cat. No.	1.V160KU	2.V160KU
	No. of Contacts	1n.o./1n.c	2n.o./2n.c.
	Electrical Rating	16 A/1/2HP/125-250V AC	

UL Type 4X Stainless Steel Enclosed Motor Disconnect Switch

KER R & RS - 16 A

Specifications

No. of Poles	3 or 4 or 6
General Purpose Current	16 A
Maximum Voltage	600V AC
Horsepower Rating /HP	3 Phase
206V AC	3
415V AC	7.5
480V AC	10
600V AC	7.5
Terminal Size	
Acceptability (Cu Conductors only, 75°C)	14-8 AWG
Enclosure Type Used	H23T/H24T



Enclosure Size

H23T/H24T

Weight	Pole	Top Style	Weight (kg/lb.)
	3 pole	No angled top	1.2 kg (2.65 lb.)
	3 pole	Angled top	1.7 kg (3.75 lb.)
	4 pole	No angled top	1.3 kg (2.87 lb.)
	4 pole	Angled top	1.8 kg (3.97 lb.)
	6 pole	No angled top	2.5 kg (5.51 lb.)
	6 pole	Angled top	3.1 kg (6.83 lb.)

Features

- Stainless Steel (Grade AISI 316)
- Designed for hygienic an heavy environments
- NEMA Type 4X, IP66
- Padlockable
- Easy to install and to clean
- Acid proof
- Rainhood protection with angled top (RS)

Description

- 3 Pole without angled top
- 4 Pole without angled top
- 6 Pole without angled top
- 3 Pole with angled top
- 4 Pole with angled top
- 6 Pole with angled top

Cat. No.

- KER 316R UL
- KER 416R UL
- KER 616R UL
- KER 316RS UL
- KER 416RS UL
- KER 616RS UL

KER R & RS - 25 A

Specifications

No. of Poles	3 or 4 or 6
General Purpose Current	25 A
Maximum Voltage	600V AC
Horsepower Rating /HP	3 Phase
206V AC	5
415V AC	10
480V AC	15
600V AC	10
Terminal Size	
Acceptability (Cu Conductors only, 75°C)	14-8 AWG
Enclosure Type Used	H23T/H24T



Enclosure Size

H23T/H24T

Weight	Pole	Top Style	Weight (kg/lb.)
	3 pole	No angled top	1.2 kg (2.65 lb.)
	3 pole	Angled top	1.7 kg (3.75 lb.)
	4 pole	No angled top	1.3 kg (2.87 lb.)
	4 pole	Angled top	1.8 kg (3.97 lb.)
	6 pole	No angled top	2.5 kg (5.51 lb.)
	6 pole	Angled top	3.1 kg (6.83 lb.)

Features

- Stainless Steel (Grade AISI 316)
- Designed for hygienic an heavy environments
- NEMA Type 4X, IP66
- Padlockable
- Easy to install and to clean
- Acid proof
- Rainhood protection with angled top (RS)

Description

- 3 Pole without angled top
- 4 Pole without angled top
- 6 Pole without angled top
- 3 Pole with angled top
- 4 Pole with angled top
- 6 Pole with angled top

Cat. No.

- KER 325R UL
- KER 425R UL
- KER 625R UL
- KER 325RS UL
- KER 425RS UL
- KER 625RS UL



KER R & RS - 40 A

Specifications

No. of Poles	3 or 4 or 6
General Purpose Current	40 A
Maximum Voltage	600V AC
Horsepower Rating /HP	3 Phase
206V AC	7.5
415V AC	15
480V AC	20
600V AC	15
Terminal Size	
Acceptability (Cu Conductors only, 75°C)	14-8 AWG
Enclosure Type Used	H23T/H24T



Enclosure Size

H23T/H24T

Weight

3 pole	No angled top	1.2 kg (2.65 lb.)
3 pole	Angled top	1.7 kg (3.75 lb.)
4 pole	No angled top	1.3 kg (2.87 lb.)
4 pole	Angled top	1.8 kg (3.97 lb.)
6 pole	No angled top	2.5 kg (5.51 lb.)
6 pole	Angled top	3.1 kg (6.83 lb.)

Features

- Stainless Steel (Grade AISI 316)
- Designed for hygienic an heavy environments
- NEMA Type 4X, IP66

- Padlockable
- Easy to install and to clean
- Acid proof
- Rainhood protection with angled top (RS)

Description

- 3 Pole without angled top
- 4 Pole without angled top
- 6 Pole without angled top
- 3 Pole with angled top
- 4 Pole with angled top
- 6 Pole with angled top

Cat. No.

- KER 340R UL
- KER 440R UL
- KER 640R UL
- KER 340RS UL
- KER 440RS UL
- KER 640RS UL

KER R & RS - 60A

Specifications

No. of Poles	3 or 4 or 6
General Purpose Current	60 A
Maximum Voltage	600V AC
Horsepower Rating /HP	3 Phase
206V AC	10
415V AC	20
480V AC	25
600V AC	25
Terminal Size	
Acceptability (Cu Conductors only, 75°C)	14-8 AWG
Enclosure Type Used	H32T/H34T



Enclosure Size

H32T/H34T

Weight

3 pole	No angled top	2.3 kg (5.07 lb.)
3 pole	Angled top	2.9 kg (6.39 lb.)
4 pole	No angled top	2.4 kg (5.29 lb.)
4 pole	Angled top	3.0 kg (6.61 lb.)
6 pole	No angled top	2.5 kg (5.51 lb.)
6 pole	Angled top	3.1 kg (6.83 lb.)

Features

- Stainless Steel (Grade AISI 316)
- Designed for hygienic an heavy environments
- NEMA Type 4X, IP66

- Padlockable
- Easy to install and to clean
- Acid proof
- Rainhood protection with angled top (RS)

Description

- 3 Pole without angled top
- 4 Pole without angled top
- 6 Pole without angled top
- 3 Pole with angled top
- 4 Pole with angled top
- 6 Pole with angled top

Cat. No.

- KER 360R UL
- KER 460R UL
- KER 660R UL
- KER 360RS UL
- KER 460RS UL
- KER 660RS UL

UL Type 4X Stainless Steel Enclosed Motor Disconnect Switch

KER R & RS - 80 A

Specifications

No. of Poles	3 or 4 or 6
General Purpose Current	80 A
Maximum Voltage	600V AC
Horsepower Rating /HP	3 Phase
206V AC	10
415V AC	25
480V AC	30
600V AC	30
Terminal Size	
Acceptability (Cu Conductors only, 75°C)	14-8 AWG
Enclosure Type Used	H23T/H24T



Enclosure Size

H32T/H34T

Weight	No. of Poles	Top Style	Weight
	3 pole	No angled top	2.3 kg (5.07 lb.)
	3 pole	Angled top	2.9 kg (6.39 lb.)
	4 pole	No angled top	2.4 kg (5.29 lb.)
	4 pole	Angled top	3.0 kg (6.61 lb.)
	6 pole	No angled top	2.5 kg (5.51 lb.)
	6 pole	Angled top	3.1 kg (6.83 lb.)

Features

- Stainless Steel (Grade AISI 316)
- Designed for hygienic an heavy environments
- NEMA Type 4X, IP66
- Padlockable
- Easy to install and to clean
- Acid proof
- Rainhood protection with angled top (RS)

Description

- 3 Pole without angled top
- 4 Pole without angled top
- 6 Pole without angled top
- 3 Pole with angled top
- 4 Pole with angled top
- 6 Pole with angled top

Cat. No.

- KER 380R CUL
- KER 480R CUL
- KER 680R CUL
- KER 380RS CUL
- KER 480RS CUL
- KER 680RS CUL

Enclosure Size

H32T/H34T

Weight

- 2.3 kg (5.07 lb.)
- 2.9 kg (6.39 lb.)

KER R & RS - 80 A

Specifications

No. of Poles	3 or 4
General Purpose Current	80 A
Maximum Voltage	600V AC
Horsepower Rating /HP	3 Phase
206V AC	15
415V AC	25
480V AC	30
600V AC	40
Terminal Size	
Acceptability (Cu Conductors only, 75°C)	14-8 AWG
Enclosure Type Used	H23T/H24T



Enclosure Size

H32T/H34T

Weight	No. of Poles	Top Style	Weight
	3 pole	No angled top	2.3 kg (5.07 lb.)
	3 pole	Angled top	2.9 kg (6.39 lb.)
	4 pole	No angled top	2.4 kg (5.29 lb.)
	4 pole	Angled top	3.0 kg (6.61 lb.)

Features

- Stainless Steel (Grade AISI 316)
- Designed for hygienic an heavy environments
- NEMA Type 4X, IP66
- Padlockable
- Easy to install and to clean
- Acid proof
- Rainhood protection with angled top (RS)

Description

- 3 Pole without angled top
- 4 Pole without angled top
- 3 Pole with angled top
- 4 Pole with angled top

Cat. No.

- KER 380R UL
- KER 480R UL
- KER 380RS UL
- KER 480RS UL

Enclosure Size

H32T/H34T

Weight

- 2.3 kg (5.07 lb.)
- 2.9 kg (6.39 lb.)



KER R & RS - 100 A

Specifications

No. of Poles	3 or 4
General Purpose Current	100 A
Maximum Voltage	600V AC
Horsepower Rating /HP	3 Phase
206V AC	3
415V AC	7.5
480V AC	10
600V AC	7.5
Terminal Size	
Acceptability (Cu Conductors only, 75°C)	14-8 AWG
Enclosure Type Used	H23T/H24T



Enclosure Size

H23T/H24T

Weight

3 pole	No angled top	2.5 kg (5.51 lb.)
3 pole	Angled top	3.1 kg (6.83 lb.)
4 pole	No angled top	2.5 kg (5.51 lb.)
4 pole	Angled top	3.1 kg (6.83 lb.)

Features

- Stainless Steel (Grade AISI 316)
- Designed for hygienic an heavy environments
- NEMA Type 4X, IP66

- Padlockable
- Easy to install and to clean
- Acid proof
- Rainhood protection with angled top (RS)

Description

- 3 Pole without angled top
- 4 Pole without angled top
- 3 Pole with angled top
- 4 Pole with angled top

Cat. No.

- KER 3100R UL
- KER 4100R UL
- KER 3100RS UL
- KER 4100RS UL

KER R & RS - 125 A

Specifications

No. of Poles	3 or 4
General Purpose Current	125 A
Maximum Voltage	600V AC
Horsepower Rating /HP	3 Phase
206V AC	3
415V AC	7.5
480V AC	10
600V AC	7.5
Terminal Size	
Acceptability (Cu Conductors only, 75°C)	14-8 AWG
Enclosure Type Used	H32T/H34T



Enclosure Size

H32T/H34T

Weight

3 pole	No angled top	2.5 kg (5.51 lb.)
3 pole	Angled top	3.1 kg (6.83 lb.)
4 pole	No angled top	2.5 kg (5.51 lb.)
4 pole	Angled top	3.1 kg (6.83 lb.)

Features

- Stainless Steel (Grade AISI 316)
- Designed for hygienic an heavy environments
- NEMA Type 4X, IP66

- Padlockable
- Easy to install and to clean
- Acid proof
- Rainhood protection with angled top (RS)

Description

- 3 Pole without angled top
- 4 Pole without angled top
- 3 Pole with angled top
- 4 Pole with angled top

Cat. No.

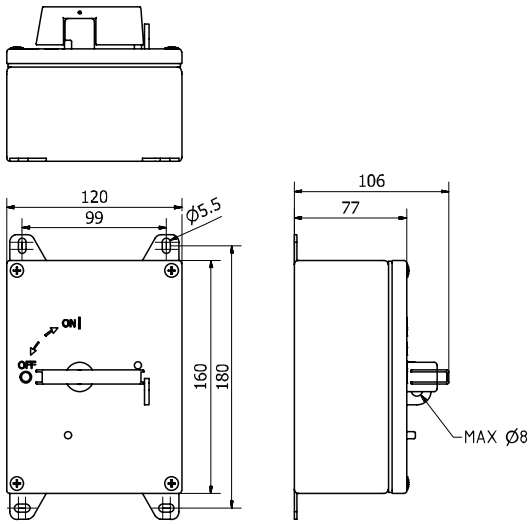
- KER 3125R UL
- KER 4125R UL
- KER 3125RS UL
- KER 4125RS UL

UL Type 4X Stainless Steel Enclosed Motor Disconnect Switch

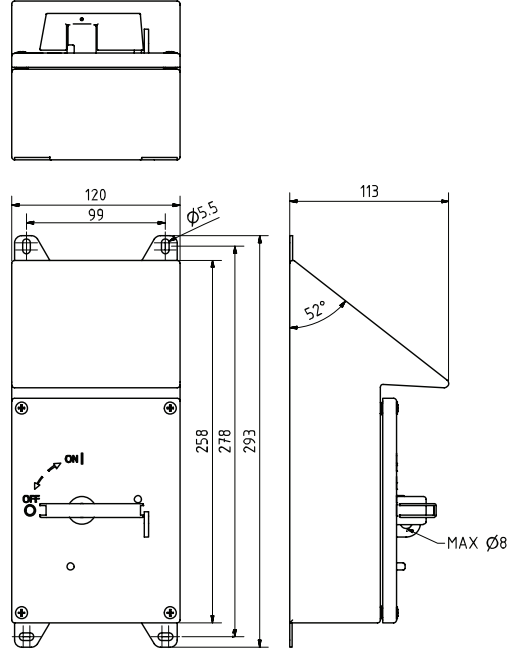
Dimensions

(to convert to inches multiply by 0.03937)

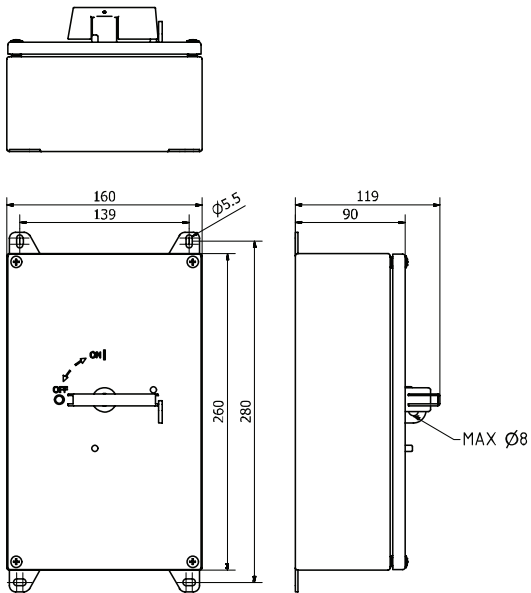
H23T



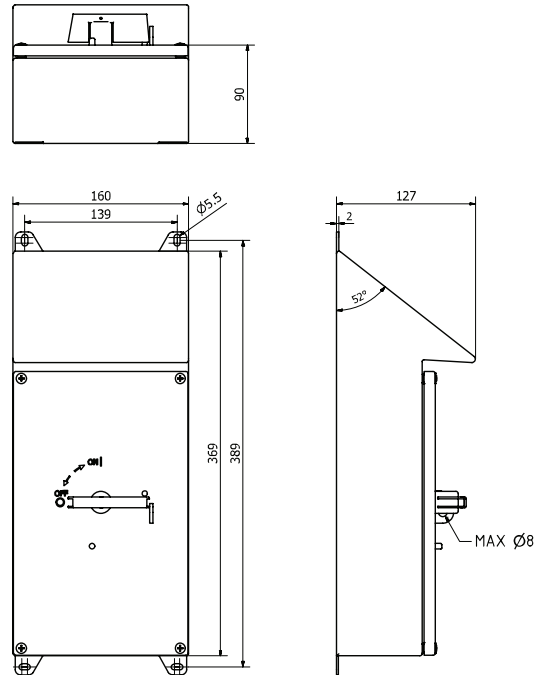
H24T



H32T



H34T



1

2

3

4

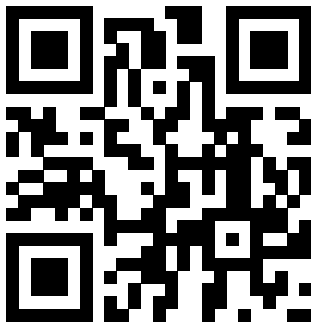
5

6

EVA3100 + K/EVA.....	31	KEM340UL.....	35	KER 325RS UL	61
EVA3100 + K/EVA Y/R	31	KEM340UL Y/R.....	35	KER 340R UL	62
EVA3100 + K/EVAB	33	KEM360UL.....	35	KER 340RS UL	62
EVA3125 + K/EVA.....	32	KEM360UL.....	48	KER 360R UL	62
EVA3125 + K/EVA Y/R	32	KEM360UL.....	49	KER 360RS UL	62
EVA3160 + K/EVA.....	32	KEM360UL Y/R.....	35	KER 380R CUL	63
EVA3160 + K/EVA Y/R	32	KEM360UL Y/R.....	48	KER 380R UL	63
EVA380 + K/EVA.....	31	KEM360UL Y/R.....	49	KER 380RS CUL	63
EVA380 + K/EVA Y/R	31	KEM360UL98.....	39	KER 380RS UL	63
K/KU3P.....	24	KEM360UL98 Y/R.....	39	KER 4100R UL	64
K/KU3P Y/R.....	24	KEM380CUL.....	36	KER 4100RS UL	64
K/KU4P.....	24	KEM380CUL Y/R	36	KER 4125R UL	64
K/KU4P Y/R.....	24	KEM380UL.....	36	KER 4125RS UL	64
K/VKA3-4P.....	24	KEM380UL Y/R.....	36	KER 416R UL	61
K/VKA3-4P Y/R.....	24	KEM4100L	37	KER 416RS UL	61
KEA 4125UL Y/R	45	KEM4100L	37	KER 425R UL	61
KEA3110UL	45	KEM4100L Y/R	37	KER 425RS UL	61
KEA3110UL Y/R	45	KEM4100L Y/R	37	KER 440R UL	62
KEA316UL	42	KEM4100UL98.....	40	KER 440RS UL	62
KEA316UL Y/R	42	KEM4100UL98 Y/R.....	40	KER 460R UL	62
KEA325UL	42	KEM4125L	37	KER 460RS UL	62
KEA325UL Y/R	42	KEM4125L	37	KER 480R CUL	63
KEA340UL	43	KEM4125L Y/R	37	KER 480R UL	63
KEA340UL Y/R	43	KEM4125L Y/R	37	KER 480RS CUL	63
KEA360UL	43	KEM4150L	38	KER 480RS UL	63
KEA360UL Y/R	43	KEM4150L	38	KER 616R UL	61
KEA380UL	44	KEM4150L Y/R	38	KER 616RS UL	61
KEA380UL Y/R	44	KEM4150L Y/R	38	KER 625R UL	61
KEA380UL Y/R	44	KEM416UL.....	34	KER 625RS UL	61
KEA4110UL	45	KEM416UL Y/R.....	34	KER 640R UL	62
KEA4110UL Y/R	45	KEM425UL.....	34	KER 640RS UL	62
KEA4125UL	45	KEM425UL Y/R.....	34	KER 660R UL	62
KEA4125UL	45	KEM440UL.....	35	KER 660RS UL	62
KEA4125UL Y/R.....	45	KEM440UL Y/R.....	35	KER 680R CUL	63
KEA416UL	42	KEM460 UL Y/R.....	35	KER 680RS CUL	63
KEA416UL Y/R	42	KEM460 UL Y/R.....	49	KER3100UL	58
KEA425UL	42	KEM460UL.....	35	KER3100UL Y/R	58
KEA425UL Y/R	42	KEM460UL.....	48	KER3100UUL98.....	60
KEA440UL	43	KEM460UL.....	49	KER3100UUL98 Y/R.....	60
KEA440UL Y/R	43	KEM460UL Y/R.....	48	KER3125UL	58
KEA460 UL Y/R	43	KEM460UL98.....	39	KER3125UL Y/R	58
KEA460UL	43	KEM460UL98 Y/R.....	39	KER316UL	55
KEA480UL	44	KEM480CUL	36	KER316UL Y/R	55
KEA480UL	44	KEM480CUL Y/R	36	KER325UL	55
KEA480UL Y/R	44	KEM480UL.....	36	KER325UL Y/R	55
KEA480UL Y/R	44	KEM480UL Y/R.....	36	KER340UL	56
KEA80UL	44	KER 3100R UL	64	KER340UL Y/R	56
KEM3100UL98.....	40	KER 3100RS UL	64	KER360UL Y/R	56
KEM3100UL98 Y/R.....	40	KER 3125R UL	64	KER360UL98	59
KEM316UL.....	34	KER 3125RS UL	64	KER360UL98	59
KEM316UL Y/R.....	34	KER 316R UL	61	KER360UL98 Y/R	59
KEM325UL.....	34	KER 316RS UL	61	KER360UL98 Y/R	59
KEM325UL Y/R.....	34	KER 325R UL	61	KER380UL	57

KER380UL 57	KET440UL Y/R 48	OKA/KU LK10 1.V Y/R 25
KER380UL Y/R 57	KET460UL98 52	OKA/KU LK10 2.V 25
KER380UL Y/R 57	KET460UL98 Y/R 52	OKA/KU LK10 2.V Y/R 25
KER4100UL 58	KET480CUL 49	OKA/KU LK10 Y/R 25
KER4100UL Y/R 58	KET480CUL Y/R 49	OKA/KU4P LK10 25
KER4100UUL98 60	KKV 332 23	OKA/KU4P LK10 1.V 25
KER4100UUL98 Y/R 60	KKV 332CC 23	OKA/KU4P LK10 1.V Y/R 25
KER4125UL 58	KKVM332 38	OKA/KU4P LK10 2.V 25
KER4125UL Y/R 58	KKVM332 Y/R 38	OKA/KU4P LK10 2.V Y/R 25
KER416UL 55	KKVM332CC 38	OKA/KU4P LK10 Y/R 25
KER416UL Y/R 55	KKVM332CC Y/R 38	OKA/VKA 0.V 27
KER425UL 55	KU1.V 23	OKA/VKA 0.V Y/R 27
KER425UL Y/R 55	KU2.V 23	OKA/VKA 1.V 27
KER440UL 56	KU3/4P VV 22	OKA/VKA 1.V Y/R 27
KER440UL Y/R 56	KU3/4P VV Y/R 22	OKA/VKA 2.V 27
KER460UL 56	KU3100UL98 20	OKA/VKA 2.V Y/R 27
KER460UL Y/R 56	KU316N 14	OKA/VKA4P 0.V 27
KER480UL 57	KU325N 14	OKA/VKA4P 0.V Y/R 27
KER480UL 57	KU340N 15	OKA/VKA4P 1.V 27
KER480UL Y/R 57	KU340N 15	OKA/VKA4P 1.V Y/R 27
KER480UL Y/R 57	KU360UL98 20	OKA/VKA4P 2.V 27
KER60UL 56	KU363N 15	OKA/VKA4P 2.V Y/R 27
KET16UL Y/R 47	KU363N 15	RKA 3P 24
KET3100UL 50	KU380N 16	RKA 4P 24
KET3100UL 50	KU4100UL98 20	RV 104S-ST 22
KET3100UUL98 53	KU416N 14	RV 66S-ST 22
KET3100UUL98 Y/R 53	KU425N 14	RV 80S-ST 22
KET3125UL 50	KU460UL98 20	VKA1.V 23
KET3125UL 50	KU480N 16	VKA2.V 23
KET3150UL 51	KUE316 28	VKA3100N 17
KET3150UL 51	KUE325 28	VKA3125N 18
KET316UL 47	KUE340 29	VKA3160N 18
KET325UL 47	KUE363 29	VKA380N 17
KET325UL Y/R 47	KUE380 30	VKA4100N 17
KET340UL Y/R 48	KV 10x38 23	VKA4125N 18
KET360UL98 52	KV 10x38 CC 23	VKA4160N 18
KET360UL98 Y/R 52	L100 AD11-ST 22	VKA480N 17
KET380CUL 49	L200 AD11-ST 22	
KET380CUL Y/R 49	L300AD11-ST 22	
KET406UL 48	LK10 UL 21	
KET406UL 48	LK10 Y/R UL 21	
KET4100UL Y/R 50	LK11 1-0-2 U 22	
KET4100UL Y/R 50	LK11 1-0-2 Y/R U 22	
KET4100UUL98 53	LK11 U 21	
KET4100UUL98 Y/R 53	LK11 Y/R U 21	
KET4125UL Y/R 50	OKA 0.V 26	
KET4125UL Y/R 50	OKA 0.V Y/R 26	
KET4150UL Y/R 51	OKA 1.V 26	
KET4150UL Y/R 51	OKA 1.V Y/R 26	
KET416UL 47	OKA 2.V 26	
KET416UL Y/R 47	OKA 2.V Y/R 26	
KET425UL 47	OKA/KU LK10 25	
KET425UL Y/R 47	OKA/KU LK10 1.V 25	





Scan QR Code to download one of our industrial electrical catalogs -or- visit www.waltherelectric.com/downloads/catalogs



WALTHER-WERKE
FORTSCHRITT SEIT 1897

F. Walther Electric Corporation
12 World's Fair Drive, Units F-G
Somerset, NJ 08873 USA

Toll Free: +1 (800) 925-8437
Phone: +1 (732) 537-9201
Fax: +1 (732) 537-9209
custserv@waltherelectric.com
www.waltherelectric.com

MDS-2020