

Harmonic Filters
Matrix[®] AP
Product Selector



- **Adapts to varying power loads**
- **Best performance in the industry**
- **Extends the service life of electrical equipment**
- **Generator compatible**
- **Performance guarantee**

The key to success: adapt.

Simply put, our Matrix[®] AP is the most advanced passive filter on the market today. Most traditional filters work fine at 100% power load, but severely underperform at lower loads. Matrix AP is different, because we know almost no one runs at full load all the time. Its patented Adaptive Passive Technology virtually eliminates harmonic distortion by adapting to varying power loads. It delivers better THID performance, increases energy efficiency and allows you to meet IEEE-519 requirements.

Its unique design generates less heat, and is easy to install and maintain. Plus it is generator compatible. With Matrix AP Harmonic Filters, power quality, energy efficiency and reduced downtime are easy to achieve.

Improve power quality and reduce downtime with our patented Adaptive Passive Technology.

The best-in-class Matrix® AP Harmonic Filters can be specified for use on the input of your VFD or other 6-pulse rectifier power supply to enable your system to meet the IEEE-519 requirements for harmonic distortion, regardless of power load.

Features our patented Adaptive Passive Technology for superior harmonic mitigation and better THID performance over a wider load range.

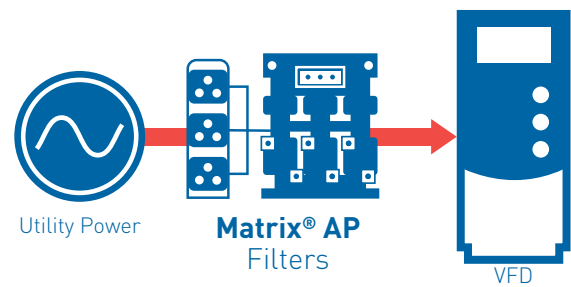
MTE performance guarantee provides peace of mind that the Matrix AP will meet or exceed performance expectations - every time.

Extends service life of electrical equipment, especially transformers and motors, due to the virtual elimination of CEMF and the skin effect.

Alleviates system downtime by preventing blown fuses and tripped circuit breakers.

Industry leading THREE year warranty because the best products deserve the best warranty.

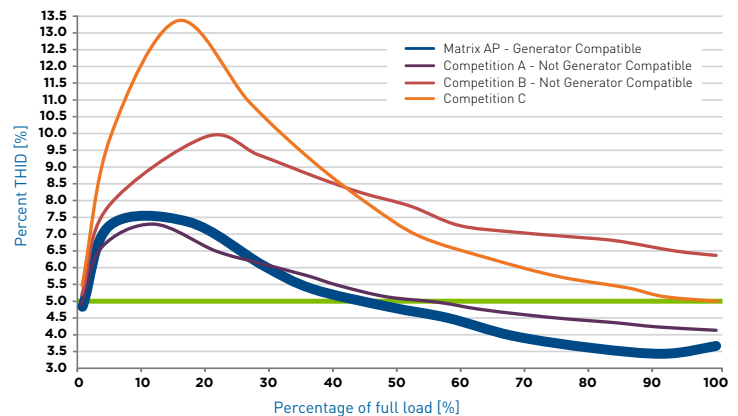
Matrix® AP



Performance Specifications	
Service Load Condition	Load: 6-pulse rectifier only
Input Voltage	380V - 415V +/- 10%; 50 + 0.75Hz; 3-phase 480V +/- 10%; 60 + 0.75Hz; 3-phase 600V +/- 10%; 60 + 0.75Hz; 3-phase 690V +/- 10%; 50 + 0.75Hz; 3-phase
Maximum THID	8% @ 30% load; 5% @ full load
Maximum Ambient Temperature	-40C to +50C open panel filters; -40C to +40C - 45C enclosed filters; -40C to +90C storage
Insertion Loss @ Full Load	<4%
Efficiency	97% - 99%
Altitude Without Derating	3,300 feet above sea level
Relative Humidity	0% to 95% non-condensing
Current Rating	150% for 1 minute duration

Final product specifications subject to change at anytime.

MTE vs. Competition THID [%]

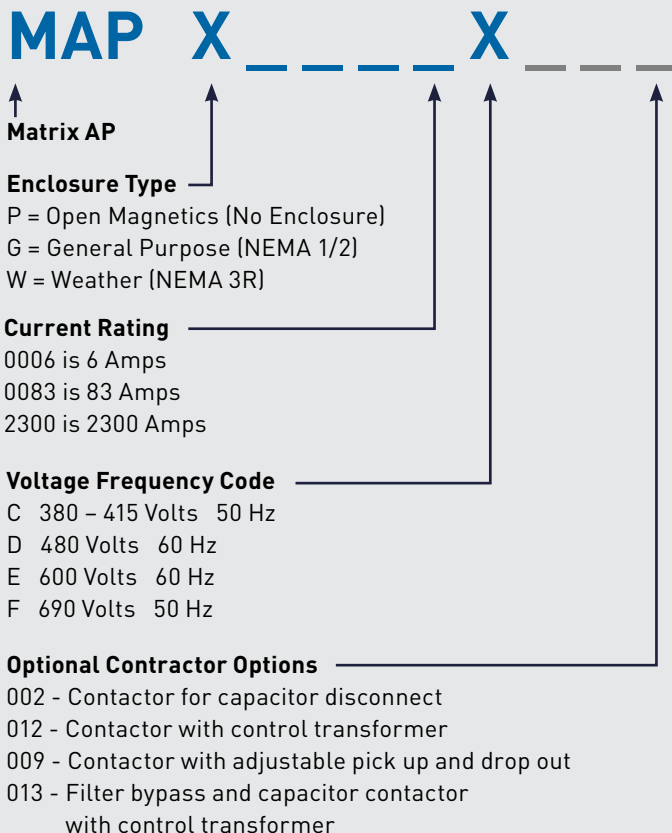


Matrix AP Harmonic Filters can help ensure that your system meets the IEEE-519 requirements for harmonic current.

How to properly size your filter

- **Determine voltage and frequency requirements**
- **Reference motor nameplate to determine motor HP or KW and Full Load Amps**
- **Select filter based on Motor Full Load Amps**
Do not exceed filter's maximum current rating (amps)
- **Specify enclosure style**
Open (No enclosure)
NEMA 1/2 (General Purpose Enclosure)
NEMA 3R (Outdoor Enclosure)
- **Determine derating requirements**
Reference Performance Specifications table on previous page
- **Select desired options (if applicable)**

Understanding the Matrix AP Part Number:



Matrix AP Options

Contactor Option 002: Contactor for capacitor disconnect

- Includes NO/NC auxiliary contacts
- Wired to customer terminal block
- Pre-wired within enclosed part numbers
- Requires 120V 50/60Hz power source

Contactor Option 012: Contactor with control transformer (Only available for enclosed filters)

- Option 002 including a 120 VAC control transformer

Contactor Option 009: Contactor with adjustable pick up and drop out (Only available for enclosed filters)

- Includes NO/NC auxiliary contacts
- Includes a 120 VAC control transformer
- Includes two current operated switches
- Ability to adjust pick-up and crop current levels
- Switches are preset at factory
Pick-up is 35% of filter output current rating
Crop out is 20% of filter output current rating

Contactor Option 013: Filter bypass and capacitor contactor with control transformer (Only available for enclosed filters)

- Includes NO/NC auxiliary contacts
- Includes a 120 VAC control transformer
- Pilot relay provided to limit inrush current
- Jumper selection allows for single contact switching (Normal bypass control with capacitor removal)

Option - 400: Standard NEMA 3R enclosure with optional rodent/serpent screen.

- Provides intake exhaust air screens with (1/4 x 1/4) mesh
- Not available on units 1600A (480V) and above

MATRIX AP SELECTION TABLES

400V 50Hz

Motor (Ref Only)	Filter Amps Rating	MTE Part Number	Enclosure Type	Filter Dimensions (H x W x D)		Approx Weight		Ref Fig	Watts Loss	Capacitor/Capacitor Panel Assembly Dimensions (H x W x D)		Qty Req'd	Ref Fig	Available Options			
				Inches	Millimeters	Lbs	Kgs			Inches	Millimeters			002	009	012	013
2.2	6	MAPP0006C	OPEN	8.6 x 8.0 x 5.4	218 x 203 x 137	20	9	3	114	7.5 x 3.0	191 x 76	1	2	S	*	*	*
		MAPG0006C	NEMA 1/2	24.0 x 12.5 x 17.9	610 x 318 x 455	66	30	6		Preinstalled in cabinet				*	*	*	*
		MAPW0006C	NEMA 3R	24.0 x 12.5 x 23.0	610 x 318 x 584	74	34			Preinstalled in cabinet				*	*	*	*
3.7	8	MAPP0008C	OPEN	8.7 x 8.0 x 5.4	221 x 203 x 137	20	9	3	149	7.5 x 3.0	191 x 76	1	2	S	*	*	*
		MAPG0008C	NEMA 1/2	24.0 x 12.5 x 17.9	610 x 318 x 455	68	31	6		Preinstalled in cabinet				*	*	*	*
		MAPW0008C	NEMA 3R	24.0 x 12.5 x 23.0	610 x 318 x 584	75	34			Preinstalled in cabinet				*	*	*	*
5.5	11	MAPP0011C	OPEN	9.9 x 9.0 x 4.8	251 x 229 x 122	28	13	3	180	7.5 x 3.0	191 x 76	1	2	S	*	*	*
		MAPG0011C	NEMA 1/2	24.0 x 12.5 x 17.9	610 x 318 x 455	75	34	6		Preinstalled in cabinet				*	*	*	*
		MAPW0011C	NEMA 3R	24.0 x 12.5 x 23.0	610 x 318 x 584	83	38			Preinstalled in cabinet				*	*	*	*
7.5	14	MAPP0014C	OPEN	9.8 x 9.0 x 5.3	249 x 229 x 135	34	15	3	206	8.0 x 3.9	203 x 99	1	2	S	*	*	*
		MAPG0014C	NEMA 1/2	24.0 x 12.5 x 17.9	610 x 318 x 455	82	37	6		Preinstalled in cabinet				*	*	*	*
		MAPW0014C	NEMA 3R	24.0 x 12.5 x 23.0	610 x 318 x 584	90	41			Preinstalled in cabinet				*	*	*	*
11	21	MAPP0021C	OPEN	11.7 x 10.5 x 6.7	297 x 267 x 170	50	23	3	235	8.0 x 3.9	203 x 76	1	2	S	*	*	*
		MAPG0021C	NEMA 1/2	24.0 x 12.5 x 17.9	610 x 318 x 455	98	44	6		Preinstalled in cabinet				*	*	*	*
		MAPW0021C	NEMA 3R	24.0 x 12.5 x 23.0	610 x 318 x 584	107	49			Preinstalled in cabinet				*	*	*	*
15	27	MAPP0027C	OPEN	11.8 x 10.5 x 7.2	300 x 267 x 183	56	25	3	266	8.3 x 4.6	211 x 117	1	2	S	*	*	*
		MAPG0027C	NEMA 1/2	24.0 x 12.5 x 17.9	610 x 318 x 455	103	47	6		Preinstalled in cabinet				*	*	*	*
		MAPW0027C	NEMA 3R	24.0 x 12.5 x 23.0	610 x 318 x 584	111	50			Preinstalled in cabinet				*	*	*	*
19	34	MAPP0034C	OPEN	11.7 x 10.5 x 7.7	297 x 267 x 196	68	31	3	298	9.1 x 4.6	231 x 117	1	2	S	*	*	*
		MAPG0034C	NEMA 1/2	24.0 x 12.5 x 17.9	610 x 318 x 455	115	52	6		Preinstalled in cabinet				*	*	*	*
		MAPW0034C	NEMA 3R	24.0 x 12.5 x 23.0	610 x 318 x 584	123	56			Preinstalled in cabinet				*	*	*	*
22	44	MAPP0044C	OPEN	11.7 x 10.5 x 8.0	297 x 267 x 203	79	36	3	356	9.1 x 4.6	231 x 117	1	2	S	*	*	*
		MAPG0044C	NEMA 1/2	24.0 x 12.5 x 17.9	610 x 318 x 455	127	58	6		Preinstalled in cabinet				*	*	*	*
		MAPW0044C	NEMA 3R	24.0 x 12.5 x 23.0	610 x 318 x 584	134	61			Preinstalled in cabinet				*	*	*	*
30	52	MAPP0052C	OPEN	14.0 x 12.0 x 9.0	356 x 305 x 229	100	45	4	388	10.6 x 4.6	269 x 117	1	2	S	*	*	*
		MAPG0052C	NEMA 1/2	33.9 x 17.8 x 20.9	861 x 452 x 531	174	79	7		Preinstalled in cabinet				*	*	*	*
		MAPW0052C	NEMA 3R	33.9 x 17.8 x 26.0	861 x 452 x 660	181	82			Preinstalled in cabinet				*	*	*	*
37	66	MAPP0066C	OPEN	14.0 x 12.0 x 9.0	356 x 305 x 229	112	51	4	459	10.6 x 4.6	269 x 117	1	2	S	*	*	*
		MAPG0066C	NEMA 1/2	33.9 x 17.8 x 20.9	861 x 452 x 531	186	84	7		Preinstalled in cabinet				*	*	*	*
		MAPW0066C	NEMA 3R	33.9 x 17.8 x 26.0	861 x 452 x 660	194	88			Preinstalled in cabinet				*	*	*	*
45	83	MAPP0083C	OPEN	14.0 x 12.0 x 10.9	356 x 305 x 277	139	63	4	565	10.6 x 4.6	269 x 117	1	2	S	*	*	*
		MAPG0083C	NEMA 1/2	33.9 x 17.8 x 20.9	861 x 452 x 531	212	96	7		Preinstalled in cabinet				*	*	*	*
		MAPW0083C	NEMA 3R	33.9 x 17.8 x 26.0	861 x 452 x 660	219	99			Preinstalled in cabinet				*	*	*	*
55	103	MAPP0103C	OPEN	14.1 x 12.0 x 11.0	358 x 305 x 279	147	67	4	660	10.6 x 4.6	269 x 117	1	2	S	*	*	*
		MAPG0103C	NEMA 1/2	33.9 x 17.8 x 20.9	861 x 452 x 531	221	100	7		Preinstalled in cabinet				*	*	*	*
		MAPW0103C	NEMA 3R	33.9 x 17.8 x 26.0	861 x 452 x 660	228	103			Preinstalled in cabinet				*	*	*	*

Note: Weights and dimensions are for reference only. Please visit mtecorp.com for detailed information.

S = Standard stock offering

* = Call for availability

400V 50Hz

Motor (Ref Only)	Filter Amps Rating	MTE Part Number	Enclosure Type	Filter Dimensions (H x W x D)		Approx Weight		Ref Fig	Watts Loss	Capacitor/Capacitor Panel Assembly Dimensions (H x W x D)		Qty Req'd	Ref Fig	Available Options			
				Inches	Millimeters	Lbs	Kgs			Inches	Millimeters			002	009	012	013
75	128	MAPP0128C	OPEN	20.0 x 15.3 x 10.7	508 x 389 x 272	208	94	4	973	6.9 x 16.4 x 7.6	175 x 417 x 193	1	1	S	*	*	*
		MAPG0128C	NEMA 1/2	51.3 x 27.7 x 24.9	1303 x 704 x 632	360	163	7		Preinstalled in cabinet				*	*	*	*
		MAPW0128C	NEMA 3R	51.3 x 27.7 x 30.0	1303 x 704 x 762	373	169									*	*
90	165	MAPP0165C	OPEN	20.0 x 15.3 x 11.7	508 x 389 x 297	273	124	4	1,030	6.7 x 16.4 x 7.6	170 x 417 x 193	1	1	S	*	*	*
		MAPG0165C	NEMA 1/2	51.3 x 27.7 x 24.9	1303 x 704 x 632	442	200	7		Preinstalled in cabinet				*	*	*	*
		MAPW0165C	NEMA 3R	51.3 x 27.7 x 30.0	1303 x 704 x 762	455	206									*	*
110	208	MAPP0208C	OPEN	20.1 x 15.3 x 11.8	511 x 389 x 300	290	132	4	1,263	8.0 x 16.4 x 7.6	203 x 417 x 193	1	1	S	*	*	*
		MAPG0208C	NEMA 1/2	51.3 x 27.7 x 24.9	1303 x 704 x 632	459	208	7		Preinstalled in cabinet				*	*	*	*
		MAPW0208C	NEMA 3R	51.3 x 27.7 x 30.0	1303 x 704 x 762	472	214									*	*
150	240	MAPP0240C	OPEN	19.9 x 15.3 x 12.8	505 x 389 x 325	325	147	4	1,423	8.0 x 16.4 x 7.6	203 x 417 x 193	1	1	S	*	*	*
		MAPG0240C	NEMA 1/2	51.3 x 27.7 x 24.9	1303 x 704 x 632	494	224	7		Preinstalled in cabinet				*	*	*	*
		MAPW0240C	NEMA 3R	51.3 x 27.7 x 30.0	1303 x 704 x 762	507	230									*	*
185	320	MAPP0320C	OPEN	20.0 x 15.3 x 17.8	508 x 389 x 452	421	191	4	1,450	9.9 x 16.4 x 7.6	251 x 417 x 193	1	1	S	*	*	*
		MAPG0320C	NEMA 1/2	76.0 x 27.7 x 24.9	1930 x 704 x 632	658	298	7		Preinstalled in cabinet				*	*	*	*
		MAPW0320C	NEMA 3R	76.0 x 27.7 x 34.0	1930 x 704 x 864	683	310									*	*
22	403	MAPP0403C	OPEN	23.2 x 15.3 x 13.7	589 x 389 x 348	433	196	4	1,816	11.1 x 16.4 x 7.6	282 x 417 x 193	1	1	S	*	*	*
		MAPG0403C	NEMA 1/2	76.0 x 27.7 x 24.9	1930 x 704 x 632	635	288	7		Preinstalled in cabinet				*	*	*	*
		MAPW0403C	NEMA 3R	76.0 x 27.7 x 34.0	1930 x 704 x 864	667	303									*	*
280	482	MAPP0482C	OPEN	23.3 x 15.3 x 14.8	592 x 389 x 376	543	246	4	2,008	8.0 x 16.4 x 7.6	203 x 417 x 193	1	1	S	*	*	*
		MAPG0482C	NEMA 1/2	87.6 x 43.7 x 31.1	2225 x 1110 x 790	955	433	7		Preinstalled in cabinet				*	*	*	*
		MAPW0482C	NEMA 3R	87.6 x 43.7 x 40.1	2225 x 1110 x 1019	1000	454									*	*
375	636	MAPP0636C	OPEN	25.8 x 24.0 x 16.5	655 x 610 x 419	683	310	5	2,359	9.9 x 16.4 x 7.6	251 x 417 x 193	2	1	S	*	*	*
		MAPG0636C	NEMA 1/2	87.6 x 43.7 x 31.1	2225 x 1110 x 790	1094	496	7		Preinstalled in cabinet				*	*	*	*
		MAPW0636C	NEMA 3R	87.6 x 43.7 x 40.1	2225 x 1110 x 1019	1131	513									*	*
450	786	MAPP0786C	OPEN	25.7 x 24.0 x 17.9	653 x 610 x 455	777	352	5	2,604	11.1 x 16.4 x 7.6	282 x 417 x 193	2	1	S	*	*	*
		MAPG0786C	NEMA 1/2	87.6 x 43.7 x 31.1	2225 x 1110 x 790	1183	537	7		Preinstalled in cabinet				*	*	*	*
		MAPW0786C	NEMA 3R	87.6 x 43.7 x 40.1	2225 x 1110 x 1019	1228	557									*	*
525	850	MAPP0850C	OPEN	25.9 x 24.0 x 20.3	658 x 610 x 516	981	445	5	2,974	9.9 x 16.4 x 7.6	251 x 417 x 193	2	1	S	*	*	*
		MAPG0850C	NEMA 1/2	84.0 x 52.0 x 36.5	2134 x 1321 x 927	1604	728	7		8.0 x 16.4 x 7.6	203 x 417 x 193	1					
		MAPW0850C	NEMA 3R	84.0 x 52.0 x 45.5	2134 x 1321 x 1156	1644	746									*	*
630	1000	MAPP1000C	OPEN	25.9 x 24.0 x 21.2	658 x 610 x 538	973	441	5	3,954	9.9 x 16.4 x 7.6	251 x 417 x 193	3	1	S	*	*	*
		MAPG1000C	NEMA 1/2	84.0 x 52.0 x 36.5	2134 x 1321 x 927	1579	716	7		Preinstalled in cabinet				*	*	*	*
		MAPW1000C	NEMA 3R	84.0 x 52.0 x 45.5	2134 x 1321 x 1156	1620	735									*	*
750	1200	MAPP1200C	OPEN	26.0 x 24.0 x 22.2	660 x 610 x 564	989	449	5	4,136	11.1 x 16.4 x 7.6	282 x 417 x 193	3	1	S	*	*	*
		MAPG1200C	NEMA 1/2	84.0 x 52.0 x 36.5	2134 x 1321 x 927	1575	714	7		Preinstalled in cabinet				*	*	*	*
		MAPW1200C	NEMA 3R	84.0 x 52.0 x 45.5	2134 x 1321 x 1156	1616	733									*	*

Note: Weights and dimensions are for reference only. Please visit mtecorp.com for detailed information.

S = Standard stock offering

* = Call for availability

MATRIX AP SELECTION TABLES

480V 60Hz

Motor (Ref Only)	Filter Amps Rating	MTE Part Number	Enclosure Type	Filter Dimensions (H x W x D)		Approx Weight		Ref Fig	Watts Loss	Capacitor/Capacitor Panel Assembly Dimensions (H x W x D)		Qty Req'd	Ref Fig	Available Options			
				Inches	Millimeters	Lbs	Kgs			Inches	Millimeters			002	009	012	013
				HP													
3	6	MAPP0006D	OPEN	8.7 x 8.0 x 5.4	221 x 203 x 137	20	9	3	122	7.5 x 3.0	191 x 76	1	2	S	*	*	*
		MAPG0006D	NEMA 1/2	24.0 x 12.5 x 17.9	610 x 318 x 455	66	30	6		Preinstalled in cabinet				S	S	S	S
		MAPW0006D	NEMA 3R	24.0 x 12.5 x 23.0	610 x 318 x 584	74	34			S	S	S	S				
5	8	MAPP0008D	OPEN	8.7 x 8.0 x 5.4	221 x 203 x 137	20	9	3	158	7.5 x 3.0	191 x 76	1	2	S	*	*	*
		MAPG0008D	NEMA 1/2	24.0 x 12.5 x 17.9	610 x 318 x 455	68	31	6		Preinstalled in cabinet				S	S	S	S
		MAPW0008D	NEMA 3R	24.0 x 12.5 x 23.0	610 x 318 x 584	75	34			S	S	S	S				
7.5	11	MAPP0011D	OPEN	9.9 x 9.0 x 4.8	251 x 229 x 122	28	13	3	192	7.5 x 3.0	191 x 76	1	2	S	*	*	*
		MAPG0011D	NEMA 1/2	24.0 x 12.5 x 17.9	610 x 318 x 455	75	34	6		Preinstalled in cabinet				S	S	S	S
		MAPW0011D	NEMA 3R	24.0 x 12.5 x 23.0	610 x 318 x 584	83	38			S	S	S	S				
10	14	MAPP0014D	OPEN	9.8 x 9.0 x 5.3	249 x 229 x 135	33	15	3	220	7.5 x 3.0	191 x 76	1	2	S	*	*	*
		MAPG0014D	NEMA 1/2	24.0 x 12.5 x 17.9	610 x 318 x 455	80	36	6		Preinstalled in cabinet				S	S	S	S
		MAPW0014D	NEMA 3R	24.0 x 12.5 x 23.0	610 x 318 x 584	88	40			S	S	S	S				
15	21	MAPP0021D	OPEN	11.7 x 10.5 x 6.6	297 x 267 x 168	50	23	3	251	8.0 x 3.9	203 x 99	1	2	S	*	*	*
		MAPG0021D	NEMA 1/2	24.0 x 12.5 x 17.9	610 x 318 x 455	98	44	6		Preinstalled in cabinet				S	S	S	S
		MAPW0021D	NEMA 3R	24.0 x 12.5 x 23.0	610 x 318 x 584	107	49			S	S	S	S				
20	27	MAPP0027D	OPEN	11.8 x 10.5 x 7.2	300 x 267 x 183	56	25	3	283	8.0 x 3.9	203 x 99	1	2	S	*	*	*
		MAPG0027D	NEMA 1/2	24.0 x 12.5 x 17.9	610 x 318 x 455	104	47	6		Preinstalled in cabinet				S	S	S	S
		MAPW0027D	NEMA 3R	24.0 x 12.5 x 23.0	610 x 318 x 584	112	51			S	S	S	S				
25	34	MAPP0034D	OPEN	11.7 x 10.5 x 7.7	297 x 267 x 196	67	30	3	318	8.0 x 3.9	203 x 99	1	2	S	*	*	*
		MAPG0034D	NEMA 1/2	24.0 x 12.5 x 17.9	610 x 318 x 455	113	51	6		Preinstalled in cabinet				S	S	S	S
		MAPW0034D	NEMA 3R	24.0 x 12.5 x 23.0	610 x 318 x 584	122	55			S	S	S	S				
30	44	MAPP0044D	OPEN	11.7 x 10.5 x 8.2	297 x 267 x 208	78	35	3	379	8.3 x 4.6	211 x 117	1	2	S	*	*	*
		MAPG0044D	NEMA 1/2	24.0 x 12.5 x 17.9	610 x 318 x 455	128	58	6		Preinstalled in cabinet				S	S	S	S
		MAPW0044D	NEMA 3R	24.0 x 12.5 x 23.0	610 x 318 x 584	133	60			S	S	S	S				
40	52	MAPP0052D	OPEN	14.0 x 12.0 x 9.1	356 x 305 x 231	99	45	4	413	9.2 x 4.6	234 x 117	1	2	S	*	*	*
		MAPG0052D	NEMA 1/2	33.9 x 17.8 x 20.9	861 x 452 x 531	173	78	7		Preinstalled in cabinet				S	S	S	S
		MAPW0052D	NEMA 3R	33.9 x 17.8 x 26.0	861 x 452 x 660	181	82			S	S	S	S				
50	66	MAPP0066D	OPEN	14.0 x 12.0 x 9.0	356 x 305 x 229	111	50	4	488	9.2 x 4.6	234 x 117	1	2	S	*	*	*
		MAPG0066D	NEMA 1/2	33.9 x 17.8 x 20.9	861 x 452 x 531	185	84	7		Preinstalled in cabinet				S	S	S	S
		MAPW0066D	NEMA 3R	33.9 x 17.8 x 26.0	861 x 452 x 660	193	88			S	S	S	S				
60	83	MAPP0083D	OPEN	14.0 x 12.0 x 10.9	356 x 305 x 277	139	63	4	600	10.6 x 4.6	269 x 117	1	2	S	*	*	*
		MAPG0083D	NEMA 1/2	33.9 x 17.8 x 20.9	861 x 452 x 531	209	95	7		Preinstalled in cabinet				S	S	S	S
		MAPW0083D	NEMA 3R	33.9 x 17.8 x 26.0	861 x 452 x 660	217	98			S	S	S	S				
75	103	MAPP0103D	OPEN	14.1 x 12.0 x 11.0	358 x 305 x 279	147	67	4	702	10.6 x 4.6	269 x 117	1	2	S	*	*	*
		MAPG0103D	NEMA 1/2	33.9 x 17.8 x 20.9	861 x 452 x 531	221	100	7		Preinstalled in cabinet				S	S	S	S
		MAPW0103D	NEMA 3R	33.9 x 17.8 x 26.0	861 x 452 x 660	228	103			S	S	S	S				
100	128	MAPP0128D	OPEN	20.0 x 15.3 x 10.7	508 x 389 x 272	195	88	4	1,035	6.9 x 16.3 x 7.6	175 x 414 x 193	1	1	S	*	*	*
		MAPG0128D	NEMA 1/2	51.3 x 27.7 x 24.9	1303 x 704 x 632	360	163	7		Preinstalled in cabinet				S	S	S	S
		MAPW0128D	NEMA 3R	51.3 x 27.7 x 30.0	1303 x 704 x 762	373	169			S	S	S	S				

Note: Weights and dimensions are for reference only. Please visit mtecorp.com for detailed information.

S = Standard stock offering

* = Call for availability

480V 60Hz

Motor (Ref Only)	Filter Amps Rating	MTE Part Number	Enclosure Type	Filter Dimensions (H x W x D)		Approx Weight		Ref Fig	Watts Loss	Capacitor/Capacitor Panel Assembly Dimensions (H x W x D)		Qty Req'd	Ref Fig	Available Options			
				Inches	Millimeters	Lbs	Kgs			Inches	Millimeters			002	009	012	013
125	165	MAPP0165D	OPEN	20.0 x 15.3 x 11.7	508 x 389 x 297	274	124	4	1,096	6.7 x 16.4 x 7.6	170 x 417 x 193	1	1	S	*	*	*
		MAPG0165D	NEMA 1/2	51.3 x 27.7 x 24.9	1303 x 704 x 632	438	199	7		Preinstalled in cabinet				S	S	S	S
		MAPW0165D	NEMA 3R	51.3 x 27.7 x 30.0	1303 x 704 x 762	451	205			Preinstalled in cabinet				S	S	S	S
150	208	MAPP0208D	OPEN	20.1 x 15.3 x 11.8	511 x 389 x 300	289	131	4	1,343	6.7 x 16.4 x 7.6	170 x 417 x 193	1	1	S	*	*	*
		MAPG0208D	NEMA 1/2	51.3 x 27.7 x 24.9	1303 x 704 x 632	454	206	7		Preinstalled in cabinet				S	S	S	S
		MAPW0208D	NEMA 3R	51.3 x 27.7 x 30.0	1303 x 704 x 762	467	212			Preinstalled in cabinet				S	S	S	S
200	240	MAPP0240D	OPEN	19.9 x 15.3 x 12.7	505 x 389 x 323	320	145	4	1,514	6.7 x 16.4 x 7.6	170 x 417 x 193	1	1	S	*	*	*
		MAPG0240D	NEMA 1/2	51.3 x 27.7 x 24.9	1303 x 704 x 632	488	221	7		Preinstalled in cabinet				S	S	S	S
		MAPW0240D	NEMA 3R	51.3 x 27.7 x 30.0	1303 x 704 x 762	501	227			Preinstalled in cabinet				S	S	S	S
250	320	MAPP0320D	OPEN	20.0 x 15.3 x 14.8	508 x 389 x 376	416	189	4	1,543	8.0 x 16.4 x 7.6	203 x 417 x 193	1	1	S	*	*	*
		MAPG0320D	NEMA 1/2	76.0 x 27.7 x 24.9	1930 x 704 x 632	654	297	7		Preinstalled in cabinet				S	S	S	*
		MAPW0320D	NEMA 3R	76.0 x 27.7 x 34.0	1930 x 704 x 864	679	308			Preinstalled in cabinet				S	S	S	*
300	403	MAPP0403D	OPEN	23.2 x 15.3 x 13.7	589 x 389 x 348	416	189	4	1,932	9.9 x 16.4 x 7.6	251 x 417 x 193	1	1	S	*	*	*
		MAPG0403D	NEMA 1/2	76.0 x 27.7 x 24.9	1930 x 704 x 632	634	288	7		Preinstalled in cabinet				S	S	S	*
		MAPW0403D	NEMA 3R	76.0 x 27.7 x 34.0	1930 x 704 x 864	666	302			Preinstalled in cabinet				S	S	S	*
400	482	MAPP0482D	OPEN	23.3 x 15.3 x 14.8	592 x 389 x 376	532	241	4	2,137	6.7 x 16.4 x 7.6	170 x 417 x 193	2	1	S	*	*	*
		MAPG0482D	NEMA 1/2	87.6 x 43.7 x 31.1	2225 x 1110 x 790	944	428	7		Preinstalled in cabinet				S	S	S	*
		MAPW0482D	NEMA 3R	87.6 x 43.7 x 40.1	2225 x 1110 x 1019	981	445			Preinstalled in cabinet				S	S	S	*
500	636	MAPP0636D	OPEN	25.8 x 24.0 x 16.5	655 x 610 x 419	667	303	5	2,509	8.0 x 16.4 x 7.6	203 x 417 x 193	2	1	S	*	*	*
		MAPG0636D	NEMA 1/2	87.6 x 43.7 x 31.1	2225 x 1110 x 790	1085	492	7		Preinstalled in cabinet				S	S	S	*
		MAPW0636D	NEMA 3R	87.6 x 43.7 x 40.1	2225 x 1110 x 1019	1122	509			Preinstalled in cabinet				S	S	S	*
600	786	MAPP0786D	OPEN	25.7 x 24.0 x 17.9	653 x 610 x 455	773	351	5	2,771	9.9 x 16.4 x 7.6	251 x 417 x 193	2	1	S	*	*	*
		MAPG0786D	NEMA 1/2	87.6 x 43.7 x 31.1	2225 x 1110 x 790	1180	535	7		Preinstalled in cabinet				S	S	S	*
		MAPW0786D	NEMA 3R	87.6 x 43.7 x 40.1	2225 x 1110 x 1019	1225	556			Preinstalled in cabinet				S	S	S	*
700	850	MAPP0850D	OPEN	25.9 x 24.0 x 20.3	658 x 610 x 516	967	439	5	3,163	8.0 x 16.4 x 7.6	203 x 417 x 193	2	1	S	*	*	*
		MAPG0850D	NEMA 1/2	84.0 x 52.0 x 36.5	2134 x 1321 x 927	1590	721	7		6.7 x 16.4 x 7.6	170 x 417 x 193	1					
		MAPW0850D	NEMA 3R	84.0 x 52.0 x 45.5	2134 x 1321 x 1156	1630	739			Preinstalled in cabinet				S	S	S	*
900	1000	MAPP1000D	OPEN	25.9 x 24.0 x 21.2	658 x 610 x 538	946	429	5	4,206	8.0 x 16.4 x 7.6	203 x 417 x 193	2	1	S	*	*	*
		MAPG1000D	NEMA 1/2	84.0 x 52.0 x 36.5	2134 x 1321 x 927	1566	710	7		9.9 x 16.4 x 7.6	251 x 417 x 193	1					
		MAPW1000D	NEMA 3R	84.0 x 52.0 x 45.5	2134 x 1321 x 1156	1607	729			Preinstalled in cabinet				S	S	S	*
1000	1200	MAPP1200D	OPEN	26.0 x 24.0 x 22.2	660 x 610 x 564	983	446	5	4,400	9.9 x 16.4 x 7.6	251 x 417 x 193	3	1	S	*	*	*
		MAPG1200D	NEMA 1/2	84.0 x 52.0 x 36.5	2134 x 1321 x 927	1571	713	7		Preinstalled in cabinet				S	S	S	*
		MAPW1200D	NEMA 3R	84.0 x 52.0 x 45.5	2134 x 1321 x 1156	1612	731			Preinstalled in cabinet				S	S	S	*
1300	1600	MAPP1600D	OPEN	33.4 x 36.0 x 29.3	848 x 914 x 744	2272	1031	5	4,500	9.9 x 16.4 x 7.6	251 x 417 x 193	4	1	*	*	*	*
1500	2000	MAPP2000D	OPEN	33.6 x 36.0 x 31.3	853 x 914 x 795	2678	1215	5	5,050	9.9 x 16.4 x 7.6	251 x 417 x 193	5	1	*	*	*	*
1850	2300	MAPP2300D	OPEN	33.6 x 36.0 x 32.4	848 x 914 x 823	2885	1309	5	6,100	9.9 x 16.4 x 7.6	251 x 417 x 193	6	1	*	*	*	*

Note: Weights and dimensions are for reference only. Please visit mtecorp.com for detailed information.

S = Standard stock offering

* = Call for availability

MATRIX AP SELECTION TABLES

600V 60Hz																	
Motor (Ref Only)	Filter Amps Rating	MTE Part Number	Enclosure Type	Filter Dimensions (H x W x D)		Approx Weight		Ref Fig	Watts Loss	Capacitor/Capacitor Panel Assembly Dimensions (H x W x D)		Qty Req'd	Ref Fig	Available Options			
				Inches	Millimeters	Lbs	Kgs			Inches	Millimeters			002	009	012	013
5	6	MAPP0006E	OPEN	8.7 x 8.0 x 5.4	221 x 203 x 137	18	8	3	150	7.5 x 3.0	191 x 76	1	2	S	*	*	*
		MAPG0006E	NEMA 1/2	24.0 x 12.5 x 17.9	610 x 318 x 455	67	30	6		Preinstalled in cabinet				S	*	S	*
		MAPW0006E	NEMA 3R	24.0 x 12.5 x 23.0	610 x 318 x 584	75	34			Preinstalled in cabinet				S	*	S	*
5	8	MAPP0008E	OPEN	9.8 x 9.0 x 4.8	249 x 229 x 122	28	13	3	183	7.5 x 3.0	191 x 76	1	2	S	*	*	*
		MAPG0008E	NEMA 1/2	24.0 x 12.5 x 17.9	610 x 318 x 455	75	34	6		Preinstalled in cabinet				S	*	S	*
		MAPW0008E	NEMA 3R	24.0 x 12.5 x 23.0	610 x 318 x 584	83	38			Preinstalled in cabinet				S	*	S	*
10	11	MAPP0011E	OPEN	9.8 x 9.0 x 5.3	249 x 229 x 135	32	15	3	205	7.5 x 3.0	191 x 76	1	2	S	*	*	*
		MAPG0011E	NEMA 1/2	24.0 x 12.5 x 17.9	610 x 318 x 455	79	36	6		Preinstalled in cabinet				S	*	S	*
		MAPW0011E	NEMA 3R	24.0 x 12.5 x 23.0	610 x 318 x 584	87	39			Preinstalled in cabinet				S	*	S	*
10	14	MAPP0014E	OPEN	11.7 x 10.5 x 6.7	297 x 267 x 170	47	21	3	250	8.0 x 3.9	203 x 99	1	2	S	*	*	*
		MAPG0014E	NEMA 1/2	24.0 x 12.5 x 17.9	610 x 318 x 455	94	43	6		Preinstalled in cabinet				S	*	S	*
		MAPW0014E	NEMA 3R	24.0 x 12.5 x 23.0	610 x 318 x 584	102	46			Preinstalled in cabinet				S	*	S	*
15	21	MAPP0021E	OPEN	11.7 x 10.5 x 7.2	297 x 267 x 183	58	26	3	285	8.0 x 3.9	203 x 99	1	2	S	*	*	*
		MAPG0021E	NEMA 1/2	24.0 x 12.5 x 17.9	610 x 318 x 455	106	48	6		Preinstalled in cabinet				S	*	S	*
		MAPW0021E	NEMA 3R	24.0 x 12.5 x 23.0	610 x 318 x 584	113	51			Preinstalled in cabinet				S	*	S	*
25	27	MAPP0027E	OPEN	11.7 x 10.5 x 7.7	297 x 267 x 196	68	31	3	304	8.3 x 4.6	211 x 117	1	2	S	*	*	*
		MAPG0027E	NEMA 1/2	24.0 x 12.5 x 17.9	610 x 318 x 455	115	52	6		Preinstalled in cabinet				S	*	S	*
		MAPW0027E	NEMA 3R	24.0 x 12.5 x 23.0	610 x 318 x 584	123	56			Preinstalled in cabinet				S	*	S	*
30	34	MAPP0034E	OPEN	11.7 x 10.5 x 8.2	297 x 267 x 208	89	40	3	366	8.3 x 4.6	211 x 117	1	2	S	*	*	*
		MAPG0034E	NEMA 1/2	24.0 x 12.5 x 17.9	610 x 318 x 455	124	56	6		Preinstalled in cabinet				S	*	S	*
		MAPW0034E	NEMA 3R	24.0 x 12.5 x 23.0	610 x 318 x 584	131	59			Preinstalled in cabinet				S	*	S	*
40	44	MAPP0044E	OPEN	14.0 x 12.0 x 9.9	356 x 305 x 251	118	54	4	395	9.1 x 4.6	231 x 117	1	2	S	*	*	*
		MAPG0044E	NEMA 1/2	33.9 x 17.8 x 20.9	861 x 452 x 531	192	87	7		Preinstalled in cabinet				S	*	S	*
		MAPW0044E	NEMA 3R	33.9 x 17.8 x 26.0	861 x 452 x 660	199	90			Preinstalled in cabinet				S	*	S	*
50	52	MAPP0052E	OPEN	14.1 x 12.0 x 10.3	358 x 305 x 262	142	64	4	494	9.1 x 4.6	231 x 117	1	2	S	*	*	*
		MAPG0052E	NEMA 1/2	33.9 x 17.8 x 20.9	861 x 452 x 531	197	89	7		Preinstalled in cabinet				S	*	S	*
		MAPW0052E	NEMA 3R	33.9 x 17.8 x 26.0	861 x 452 x 660	204	93			Preinstalled in cabinet				S	*	S	*
60	66	MAPP0066E	OPEN	14.0 x 12.0 x 11.0	356 x 305 x 279	166	75	4	655	10.6 x 4.6	269 x 117	1	2	S	*	*	*
		MAPG0066E	NEMA 1/2	33.9 x 17.8 x 20.9	861 x 452 x 531	209	95	7		Preinstalled in cabinet				S	*	S	*
		MAPW0066E	NEMA 3R	33.9 x 17.8 x 26.0	861 x 452 x 660	217	98			Preinstalled in cabinet				S	*	S	*
75	83	MAPP0083E	OPEN	14.1 x 12.0 x 10.9	358 x 305 x 277	144	65	4	718	10.6 x 4.6	269 x 117	1	2	S	*	*	*
		MAPG0083E	NEMA 1/2	33.9 x 17.8 x 20.9	861 x 452 x 531	218	99	7		Preinstalled in cabinet				S	*	S	*
		MAPW0083E	NEMA 3R	33.9 x 17.8 x 26.0	861 x 452 x 660	226	103			Preinstalled in cabinet				S	*	S	*

Note: Weights and dimensions are for reference only. Please visit mtecorp.com for detailed information.

S = Standard stock offering

* = Call for availability

600V 60Hz

Motor (Ref Only)	Filter Amps Rating	MTE Part Number	Enclosure Type	Filter Dimensions (H x W x D)		Approx Weight		Ref Fig	Watts Loss	Capacitor/Capacitor Panel Assembly Dimensions (H x W x D)		Qty Req'd	Ref Fig	Available Options			
				Inches	Millimeters	Lbs	Kgs			Inches	Millimeters			002	009	012	013
100	103	MAPP0103E	OPEN	20.0 x 15.3 x 10.7	508 x 389 x 272	210	95	4	1,085	6.7 x 16.4 x 7.6	170 x 417 x 193	1	1	S	*	*	*
		MAPG0103E	NEMA 1/2	51.3 x 27.7 x 14.9	1303 x 704 x 632	376	171	7		Preinstalled in cabinet				S	*	S	*
		MAPW0103E	NEMA 3R	51.3 x 27.7 x 30.0	1303 x 704 x 762	389	175							S	*	S	*
125	128	MAPP0128E	OPEN	20.0 x 15.3 x 11.7	508 x 389 x 297	270	122	4	1,090	6.7 x 16.4 x 7.6	170 x 417 x 193	1	1	S	*	*	*
		MAPG0128E	NEMA 1/2	51.3 x 27.7 x 14.9	1303 x 704 x 632	436	198	7		Preinstalled in cabinet				S	*	S	*
		MAPW0128E	NEMA 3R	51.3 x 27.7 x 30.0	1303 x 704 x 762	449	204							S	*	S	*
150	165	MAPP0165E	OPEN	20.1 x 15.3 x 11.9	511 x 389 x 302	287	130	4	1,285	6.7 x 16.4 x 7.6	170 x 417 x 193	1	1	S	*	*	*
		MAPG0165E	NEMA 1/2	51.3 x 27.7 x 14.9	1303 x 704 x 632	456	207	7		Preinstalled in cabinet				S	*	S	*
		MAPW0165E	NEMA 3R	51.3 x 27.7 x 30.0	1303 x 704 x 762	469	213							S	*	S	*
200	208	MAPP0208E	OPEN	20.1 x 15.3 x 12.8	511 x 389 x 325	322	146	4	1,431	7.7 x 16.4 x 7.6	196 x 417 x 193	1	1	S	*	*	*
		MAPG0208E	NEMA 1/2	51.3 x 27.7 x 14.9	1303 x 704 x 632	482	219	7		Preinstalled in cabinet				S	*	S	*
		MAPW0208E	NEMA 3R	51.3 x 27.7 x 30.0	1303 x 704 x 762	516	234							S	*	S	*
250	240	MAPP0240E	OPEN	19.9 x 15.3 x 15.8	505 x 389 x 401	427	194	4	1,624	7.7 x 16.4 x 7.6	196 x 417 x 193	1	1	S	*	*	*
		MAG0240E	NEMA 1/2	76.0 x 27.7 x 24.9	1930 x 704 x 632	661	300	7		Preinstalled in cabinet				S	*	S	*
		MAPW0240E	NEMA 3R	76.0 x 27.7 x 34.0	1930 x 704 x 864	687	312							S	*	S	*
300	320	MAPP0320E	OPEN	23.2 x 15.3 x 15.7	592 x 389 x 401	501	227	4	2,021	9.2 x 16.4 x 7.6	234 x 417 x 193	1	1	S	*	*	*
		MAG0320E	NEMA 1/2	76.0 x 27.7 x 24.9	1930 x 704 x 632	741	336	7		Preinstalled in cabinet				S	*	S	*
		MAPW0320E	NEMA 3R	76.0 x 27.7 x 34.0	1930 x 704 x 864	766	347							S	*	S	*
400	403	MAPP0403E	OPEN	23.3 x 15.3 x 15.8	592 x 389 x 401	504	229	4	2,208	12.1 x 16.4 x 7.6	307 x 417 x 193	1	1	S	*	*	*
		MAG0403E	NEMA 1/2	87.6 x 43.7 x 31.1	2225 x 1110 x 632	909	412	7		Preinstalled in cabinet				S	*	S	*
		MAPW0403E	NEMA 3R	87.6 x 43.7 x 40.1	2225 x 1110 x 1019	945	429							S	*	S	*
500	482	MAPP0482E	OPEN	25.9 x 24.0 x 16.6	658 x 610 x 422	670	304	5	2,481	7.7 x 16.4 x 7.6	196 x 417 x 193	2	1	S	*	*	*
		MAG0482E	NEMA 1/2	87.6 x 43.7 x 31.1	2225 x 1110 x 632	1091	495	7		Preinstalled in cabinet				S	*	S	*
		MAPW0482E	NEMA 3R	87.6 x 43.7 x 40.1	2225 x 1110 x 1019	1136	515							S	*	S	*
600	636	MAPP0636E	OPEN	25.9 x 24.0 x 17.7	658 x 610 x 450	911	413	5	2,884	9.2 x 16.4 x 7.6	234 x 417 x 193	2	1	S	*	*	*
		MAG0636E	NEMA 1/2	87.6 x 43.7 x 31.1	2225 x 1110 x 632	1233	559	7		Preinstalled in cabinet				S	*	S	*
		MAPW0636E	NEMA 3R	87.6 x 43.7 x 40.1	2225 x 1110 x 1019	1278	580							S	*	S	*
800	786	MAPP0786E	OPEN	26.0 x 24.0 x 19.5	660 x 610 x 495	922	418	5	3,368	12.1 x 16.4 x 7.6	307 x 417 x 193	2	1	S	*	*	*
		MAG0786E	NEMA 1/2	84.0 x 52.0 x 36.5	2134 x 1321 x 927	1509	684	7		Preinstalled in cabinet				S	*	S	*
		MAPW0786E	NEMA 3R	84.0 x 52.0 x 45.5	2134 x 1321 x 1156	1549	703							S	*	S	*

Note: Weights and dimensions are for reference only. Please visit mtecorp.com for detailed information.
 S = Standard stock offering
 * = Call for availability

MATRIX AP SELECTION TABLES

690V 50Hz

Motor (Ref Only)	Filter Amps Rating	MTE Part Number	Enclosure Type	Filter Dimensions (H x W x D)		Approx Weight		Ref Fig	Watts Loss	Capacitor/Capacitor Panel Assembly Dimensions (H x W x D)		Qty Req'd	Ref Fig	Available Options			
				Inches	Millimeters	Lbs	Kgs			Inches	Millimeters			002	009	012	013
37	52	MAPP0052F	OPEN	19.8 x 15.3 x 11.1	503 x 389 x 282	167	76	3	681	6.7 x 16.4 x 7.6	170 x 417 x 193	1	1	*	*	*	*
45	66	MAPP0066F	OPEN	19.9 x 15.3 x 11.2	505 x 389 x 284	193	88	3	844	7.7 x 16.4 x 7.6	196 x 417 x 193	1	1	*	*	*	*
55	83	MAPP0083F	OPEN	19.9 x 15.3 x 11.6	505 x 389 x 295	254	115	3	850	6.7 x 16.4 x 7.6	170 x 417 x 193	1	1	*	*	*	*
75	103	MAPP0103F	OPEN	20.1 x 15.3 x 11.7	511 x 389 x 297	277	126	3	1,051	9.2 x 16.4 x 7.6	234 x 417 x 193	1	1	*	*	*	*
90	128	MAPP0128F	OPEN	19.9 x 15.3 x 12.7	505 x 389 x 323	323	147	3	1,106	8.0 x 16.4 x 7.6	203 x 417 x 193	1	1	*	*	*	*
110	165	MAPP0165F	OPEN	19.9 x 15.3 x 13.7	505 x 389 x 376	378	171	3	1,257	10.7 x 16.3 x 7.6	272 x 414 x 193	1	1	*	*	*	*
150	208	MAPP0208F	OPEN	23.1 x 15.3 x 13.7	587 x 389 x 348	448	203	3	1,400	6.7 x 16.4 x 7.6	170 x 417 x 193	1	1	*	*	*	*
										7.7 x 16.4 x 7.6	196 x 417 x 193	1		*	*	*	*
185	240	MAPP0240F	OPEN	23.2 x 15.3 x 14.9	589 x 389 x 378	503	228	3	1,721	7.7 x 16.4 x 7.6	196 x 417 x 193	1	1	*	*	*	*
										8.0 x 16.4 x 7.6	203 x 417 x 193	1		*	*	*	*
222	320	MAPP0320F	OPEN	25.9 x 24.0 x 16.7	658 x 610 x 424	674	306	4	2,031	9.9 x 16.4 x 7.6	251 x 417 x 193	2	1	*	*	*	*
280	403	MAPP0403F	OPEN	25.8 x 24.0 x 17.8	655 x 610 x 452	753	342	4	2,780	6.7 x 16.4 x 7.6	170 x 417 x 193	1	1	*	*	*	*
										9.9 x 16.4 x 7.6	251 x 417 x 193	2		*	*	*	*
375	482	MAPP0482F	OPEN	25.9 x 24.0 x 19.0	658 x 610 x 483	886	402	4	2,883	9.9 x 16.4 x 7.6	251 x 417 x 193	3	1	*	*	*	*
450	636	MAPP0636F	OPEN	25.9 x 24.0 x 21.6	658 x 610 x 549	1084	492	4	3,140	11.1 x 16.4 x 7.6	282 x 417 x 193	1	1	*	*	*	*
										11.1 x 16.4 x 7.6	282 x 417 x 193	2		*	*	*	*

Notes: Weights and dimensions are for reference only. Please visit mtecorp.com for detailed information.

S = Standard stock offering

* = Call for availability

CAPACITOR/CAPACITOR PANEL

FIGURE 1

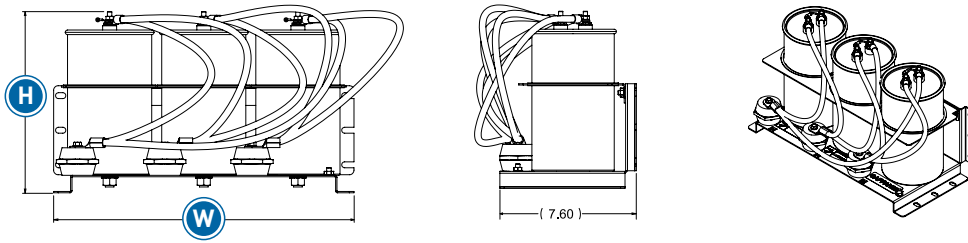
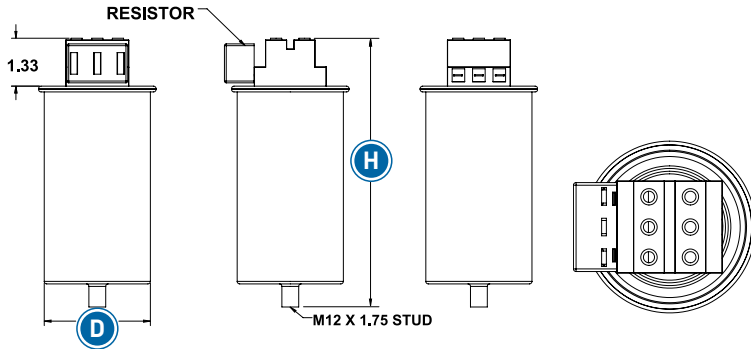


FIGURE 2



OPEN MAGNETICS

FIGURE 3

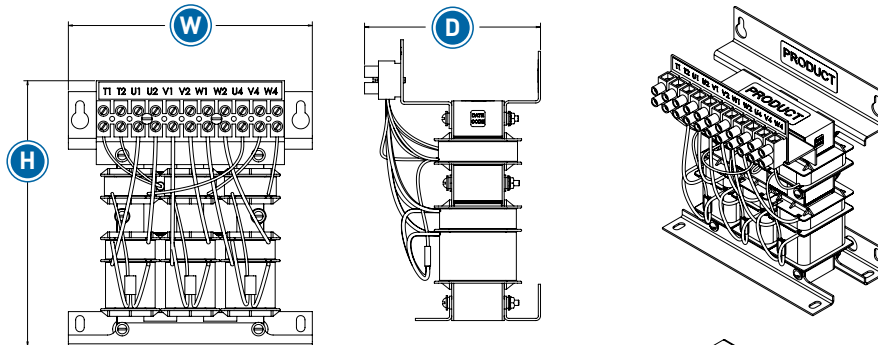


FIGURE 4

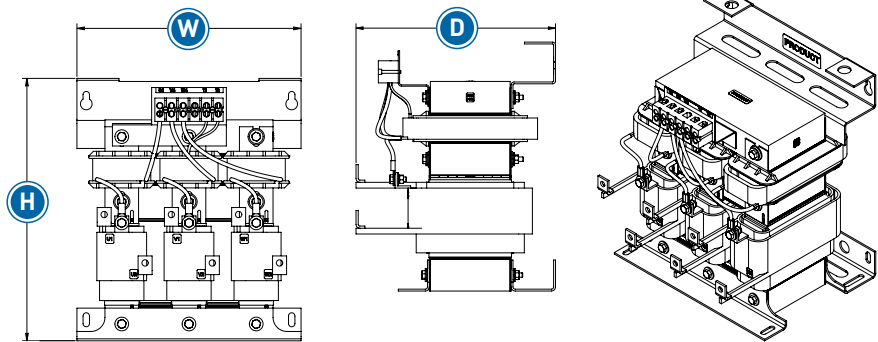
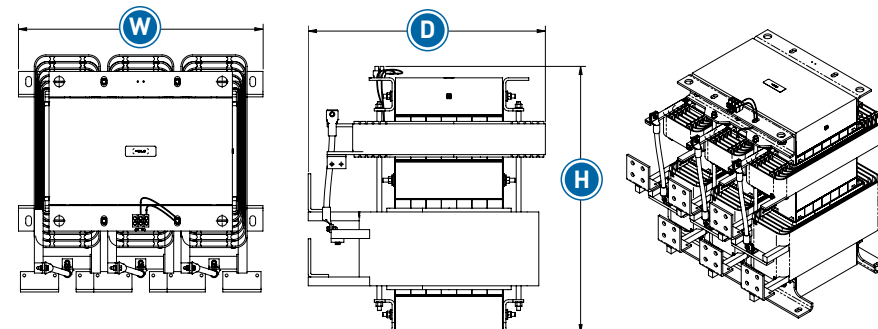


FIGURE 5



ENCLOSURES

(NOTE: HOODS ONLY ON NEMA 3R ENCLOSURES)

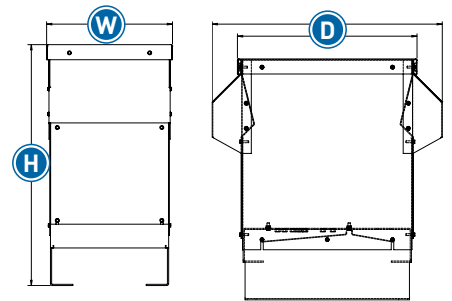


FIGURE 6

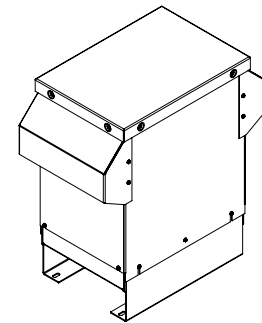
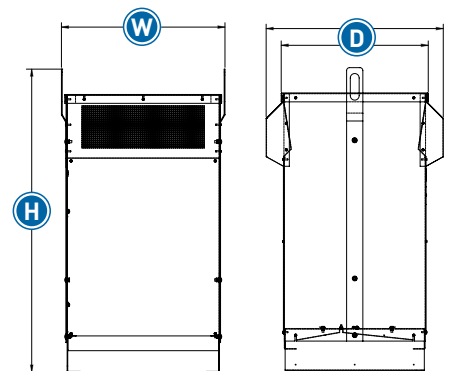


FIGURE 7



The power quality experts.

MTE Corporation was formed in 1982 by bringing together Milwaukee Transformer Co., Transformer Design Inc., and Milwaukee Electronics Corp. – companies that specialized in different fields of magnetics and transformer designs and were long established in their respective fields. MTE vaulted into a leadership role in power quality with its unique AC reactor design and passive filter expertise. We continued to grow as a global leader with innovative Harmonic Filters, Motor Protection Filters and Sinewave Filters.

Now with the addition of TEAL Electronics in 2016, MTE brings a continuum of power quality solutions unmatched in the industry. Building on TEAL's reputation of high-efficiency transformers and durable power conditioning and distribution units for demanding applications, MTE is building the best power quality company by capitalizing on the individual strength of each while bringing a new dimension in management, marketing, and quality.

Our team of professional design engineers has well over 100 years of collective experience in the industry and is complemented by as much experience in operations. Our engineers utilize state-of-the-art platforms and best-in-class simulation/modeling tools so that new designs meet your needs and the latest compliance standards while improving your bottom line.

At MTE, we know power quality because power quality is all we do.

A Handy & Harman company. Better together.

Handy & Harman Ltd. (NASDAQ:HNH) is a diversified manufacturer of engineered niche industrial products with leading market positions in many of the markets it serves. Through its wholly-owned operating subsidiaries, HNH focuses on high margin products and innovative technology and serves customers across a wide range of end markets. HNH's diverse product offerings are marketed throughout the United States and internationally.



MTE Corporation
N83 W13330 Leon Road
Menomonee Falls WI 53051
(800) 455-4MTE • (262) 253-8200