



## New 20" x 16" x 10" Polycarbonate Enclosure

Base P/N AMP2060

The newest addition to the POLYLINE® Series of enclosures, 20" x 16" x 10", offers standard features such as multi-mounting capability with your choice of a mounting flange or adjustable mounting feet. A clear polycarbonate cover option will allow viewing of critical electronic instrumentation, while providing protection in harsh environments.

Featuring metallic or nonmetallic latches, molded-in latch keepers and mounting bosses, and a tongue-and-groove seal joint between cover and base, POLYLINE is the ultimate in polycarbonate enclosures.



### APPLICATION

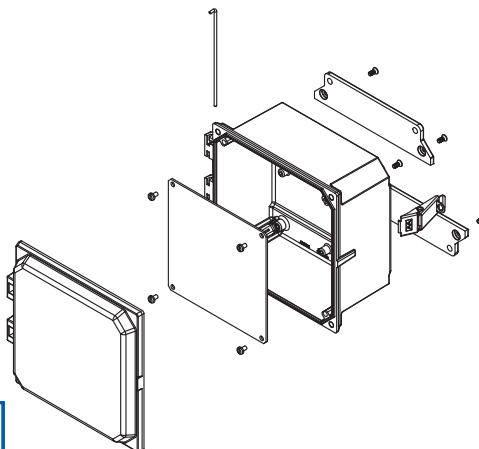
- Designed to insulate and house electrical and electronic controls, instruments or components for indoor and outdoor applications
- Lightweight and impact resistant with good corrosion resistance for many industrial environments
- Protects from dirt, dust, oil and water

### STANDARDS

- UL 50 and UL 50E Types 1, 2, 3, 3R, 4, 4X, 12 and 13
- CSA C22.2 No. 94 Types 1, 2, 3, 3R, 4, 4X, 12 and 13
- Complies with
  - NEMA Types 1, 2, 3, 3R, 4, 4X, 12 and 13
  - IEC 60529 Type IP66
  - RoHS directive
- Screw cover option also meets UL 50 and UL 50E Type 6P; CSA C22.2 No. 94 Type 6P; and complies with
  - IEC 60529 Type IP68 submersible up to 24 hours at a depth of 6 feet (1.8 meters)

### CONSTRUCTION

- Injection molded polycarbonate thermoplastic – opaque cover, enclosure base, feet and flanges
- Opaque cover, base, feet, and flanges – Light gray color (RAL 7035)  
**Note:** flanged models are pre-assembled; foot mounting hardware supplied in a bag
- 316 stainless steel captive cover screws and foot/flange mounting hardware
- Cover seal – Foamed-in-place (FIP) polyurethane gasket encased in continuous channel.
- #10-32 threaded brass inserts are installed for optional back panel mounting



### ACCESSORIES

- Back panel kits
  - Fixed back panel kit in white painted steel, P/N PL206
  - Fixed back panel kit in aluminum, P/N PLA206
- Hinged front panel kits
  - Aluminum, P/N HFPP206
- ULTRAPLUG® hole plug assemblies

### MODIFICATIONS

- Custom holes and cutouts, along with polycarbonate viewing windows are available. Contact factory for additional modification options.

### CONTACT INFORMATION

Allied Moulded Products Inc.  
222 North Union Street  
Bryan, OH 43506 USA

Phone: 1-800-722-2679

Fax: 1-800-237-7269

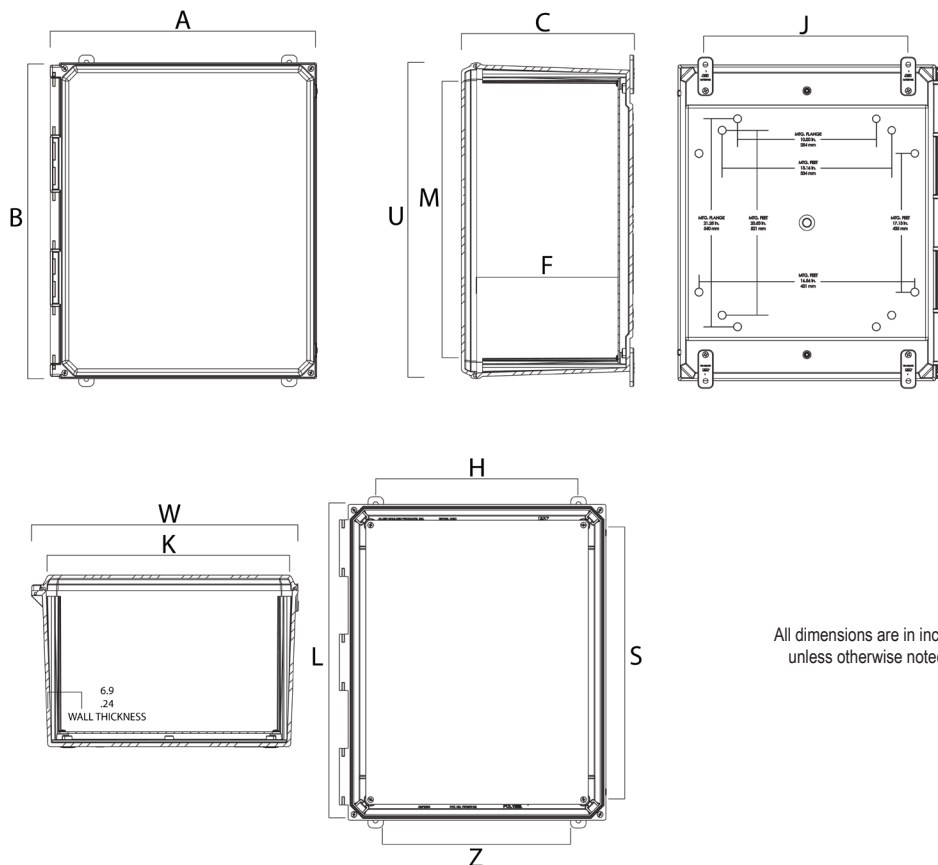
Email: [sales@alliedmoulded.com](mailto:sales@alliedmoulded.com)



[www.alliedmoulded.com](http://www.alliedmoulded.com)



The newest addition to Allied Moulded's POLYLINE offering, 20" x 16" x 10", is a feature rich, injection-molded polycarbonate enclosure that is sure to protect your components in most environmental situations.



All dimensions are in inches unless otherwise noted.

	Box Size Inside Dimensions			Usable Depth	Panel Boss Centers		Flange Mount Centers		Foot Mount Centers		Cover Size				Nominal Wall Thickness
	A	B	C		F	S	Z	J	I	H	L	K	M	W	
AMP2060	19.76	15.98	10.13	9.95	17.81	13.81	10	21.28	13.16	20.53	15.43	19.21	16.72	20.50	0.24
<i>Dimensions in mm</i>	502	406	257	253	452	351	254	541	334	521	392	488	423	521	6.9

### Available Configuration Options for AMP2060 POLYLINE Enclosure

Base Part Number		Cover Types		Cover Attachment Types				Mounting Types	
Base Number Model	Size	Opaque Cover	Clear Cover	Screw Cover	Hinged Screw Cover	Hinged Nonmetal Latch	Hinged Snap Latch	Foot Mount	Flange Mount
AMP2060	20"x16"x10"	(none)	CC	(none)	H	NL	L	(none)	F

Example: Part number AMP2060CCLF is a base enclosure with a clear cover (-CC), a hinged snap latch (-L), and a flange mount (-F).  
 Part number AMP2060H is a base enclosure with an opaque cover, a hinged screw cover (-H), and foot mounting brackets.

